

**CS-590**

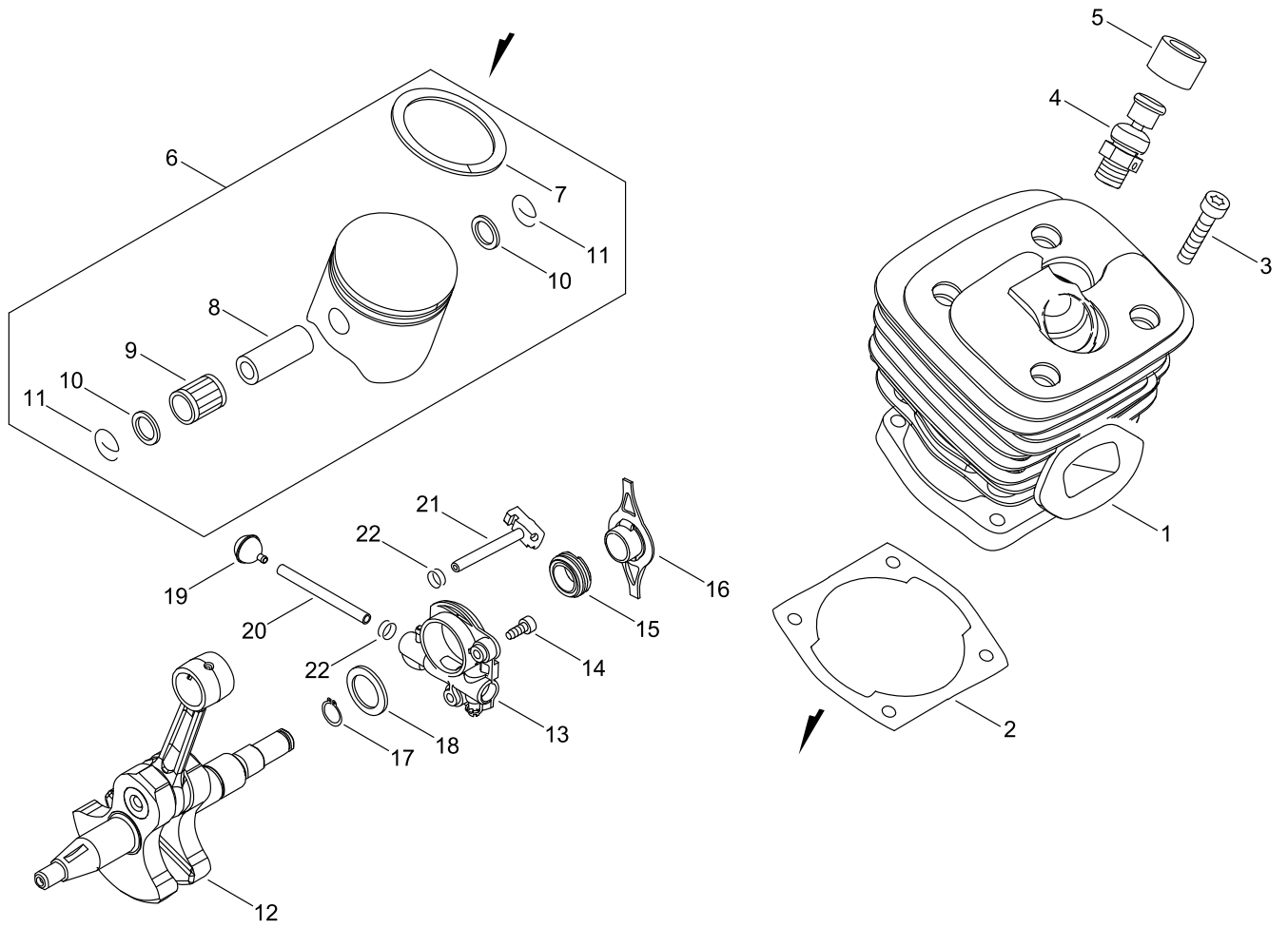
**Published:06/10/2020**

## TABLE OF CONTENTS

---

CYLINDER, PISTON, CRANKSHAFT.....	1
CRANKCASE .....	3
MAGNETO.....	5
AIR CLEANER, CARBURETOR.....	7
CARBURETOR.....	9
MUFFLER .....	11
RECOIL STARTER.....	13
HANDLE .....	15
CHAIN BRAKE.....	19
ACCESSORIES .....	21
OILER.....	23
GUIDE BAR, CHAIN .....	25

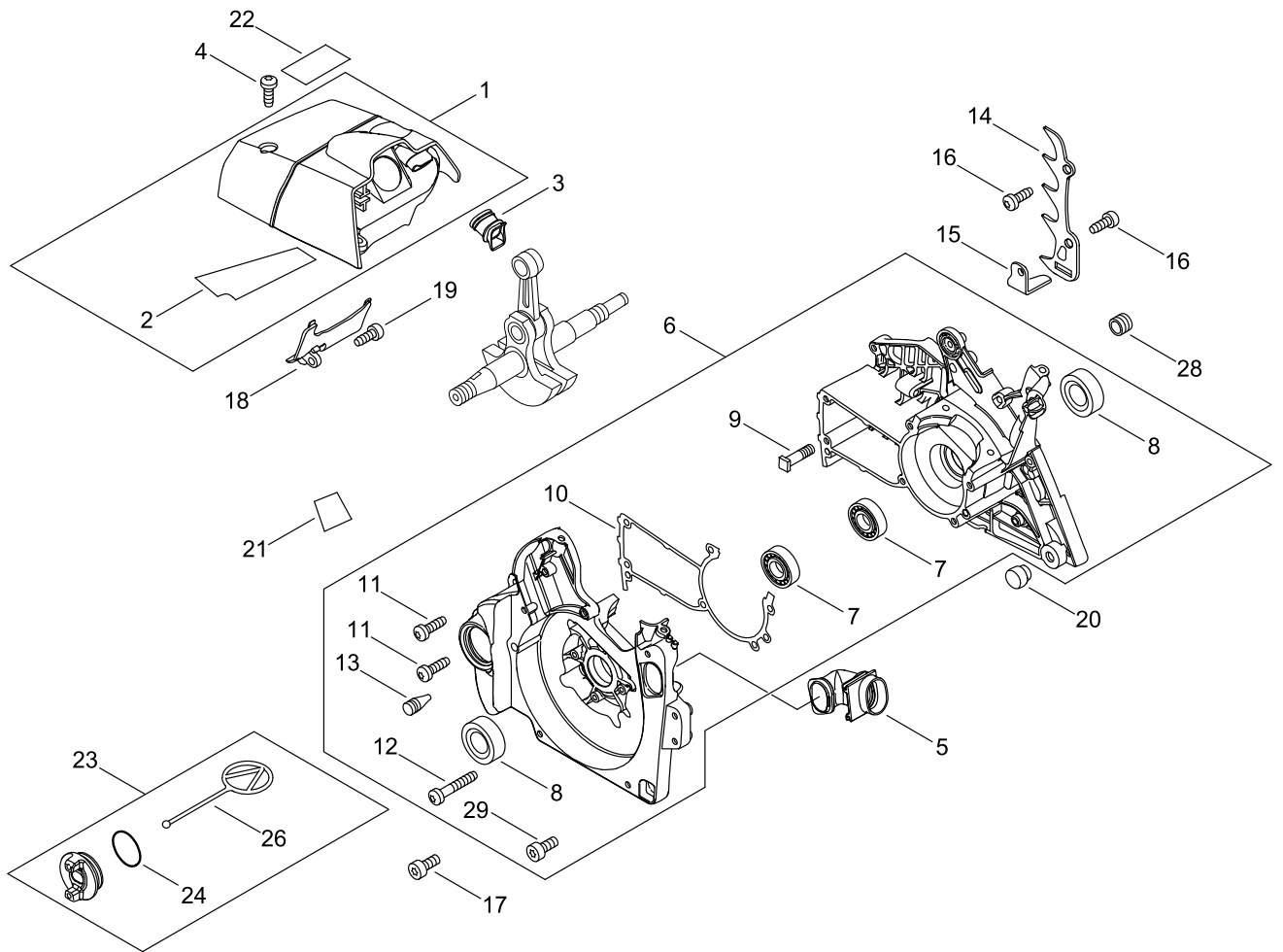
# CYLINDER, PISTON, CRANKSHAFT



## CYLINDER, PISTON, CRANKSHAFT

Key No.	LV (+)	Part No	Description	Qty	Standard
1		A130-002041	CYLINDER	1	
2		V100-000270	GASKET,CYL	1	
3		V805-000220	BOLT, TORX 5	4	TB-5*25 12.9
4		A014-000110	RELEASE ASY., COMP.	1	
5		V141-000090	GROMMET,PLUG	1	
6		P021-038790	PISTON KIT	1	
7	+	A101-000210	RING, PISTON	1	45*1.5*1.9
8	+	V609-000010	PIN,ENG 11	1	7*11*37.6
9	+	V556-000000	BEARING,NEEDLE 11	1	KBK11*15*15.8X2
10	+	V308-000040	WASHER,CIRCULAR 11	2	11.2*19.5*0.5
11	+	V580-000030	RING,END	2	D 1.0
12		A011-001270	CRANKSHAFT,ASY	1	CSB-620PW
13		C022-000053	AUTO-OILER ASSEMBLY	1	ZP02A
14		V804-000000	BOLT, TORX 4	2	TT-4*12 DG 10.9
15		V652-000050	GEAR,WORM	1	
16		V358-000090	COLLAR,14	1	
17		900701-00015	RETAINING RING, EXTERNAL	1	CS-15
18		V311-000090	WASHER,CIRCULAR 16-1	1	15.5*22.5*0.5
19		436205-14730	STRAINER, OIL	1	
20		437210-30831	PIPE	1	3*6*210
21		V470-000830	PIPE	1	
22		V490-001240	CLIP	2	

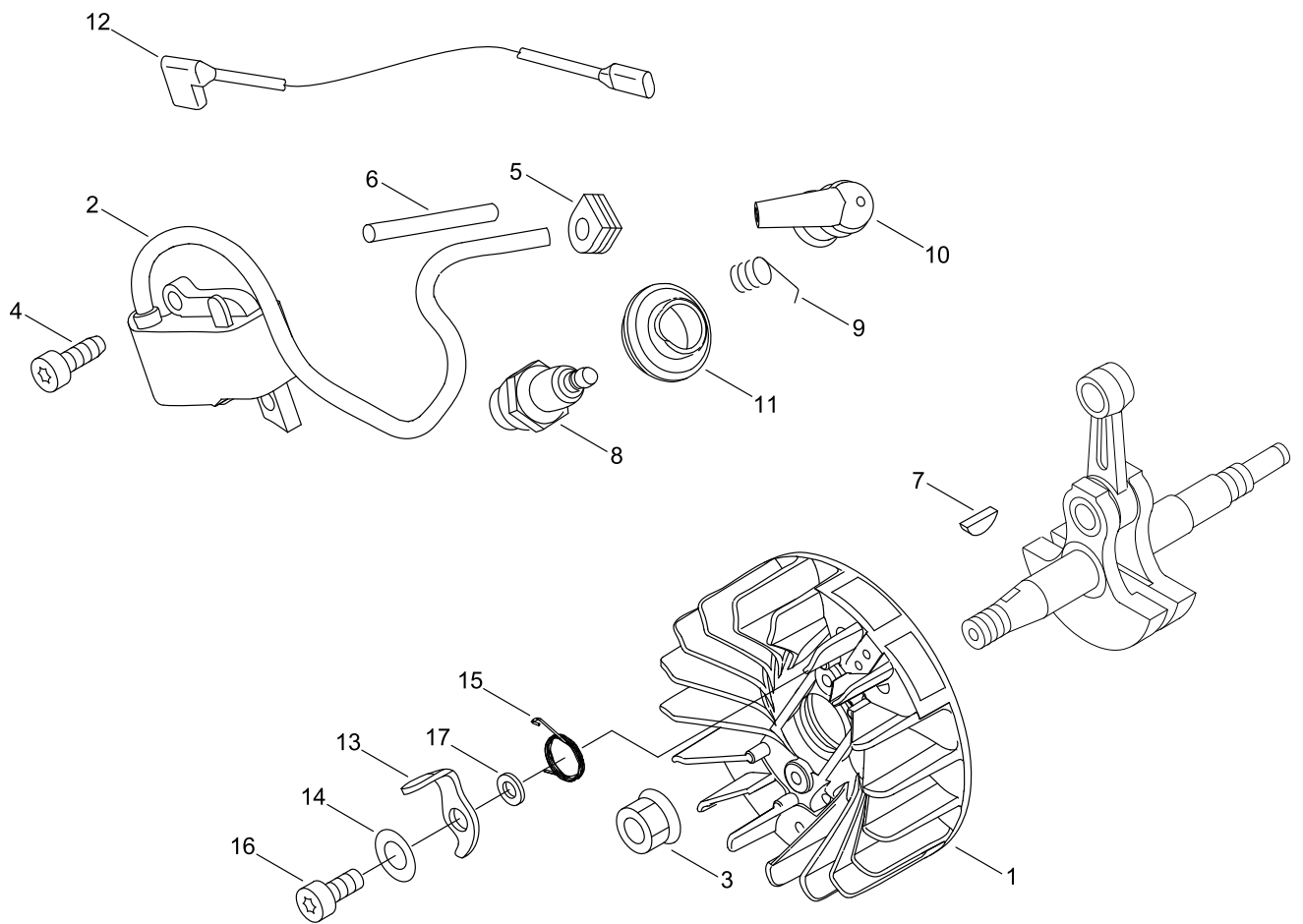
# CRANKCASE



## CRANKCASE

Key No.	LV (+)	Part No	Description	Qty	Standard
1		P100-002830	CYLINDER COVER ASY	1	
2	+	V341-000140	WASHER,SQUARE	1	75*32*0.15
3		A239-000070	PIPE, INTAKE	1	
4		V805-000000	BOLT, TORX 5	3	TT-5*16 DG 10.9
5		A239-000060	PIPE, INTAKE	1	
6		P200-000980	CRANKCASE SET	1	
7	+	94036-46202	BEARING, BALL	2	6202
8	+	V508-000100	SEAL,OIL 15	2	ISCD 15*25*7
9	+	433011-19831	STUD, GUIDE BAR	2	
10	+	V102-000060	GASKET,CRANKCASE	1	T0.4
11	+	V805-000010	BOLT, TORX 5	2	TT-5*20 DG 10.9
12	+	V805-000020	BOLT, TORX 5	4	TT-5*35 DG 10.9
13	+	436114-13930	VALVE, CHECK	1	
29	+	V805-000160	BOLT, TORX 5	4	TB-5*20 10.9
14		C304-000280	SPIKED	1	
15		C310-000010	CATCHER, CHAIN	1	
16		V805-000000	BOLT, TORX 5	2	TT-5*16 DG 10.9
17		V805-000170	BOLT, TORX 5	1	TB-5*25 10.9
18		E106-000020	GUIDE,AIR	1	
19		V805-000000	BOLT, TORX 5	1	TT-5*16 DG 10.9
20		V420-003800	CUSHION	2	
21		V376-001780	SPACER	1	
22		890345-39231	LABEL,CAUTION	1	
23		P100-004881	CAP,OIL ASY	1	
24	+	900720-20029	O-RING	1	P-29
26	+	A365-000050	CONNECTOR,CAP	1	
28		132115-01462	GROMMET	1	

# MAGNETO

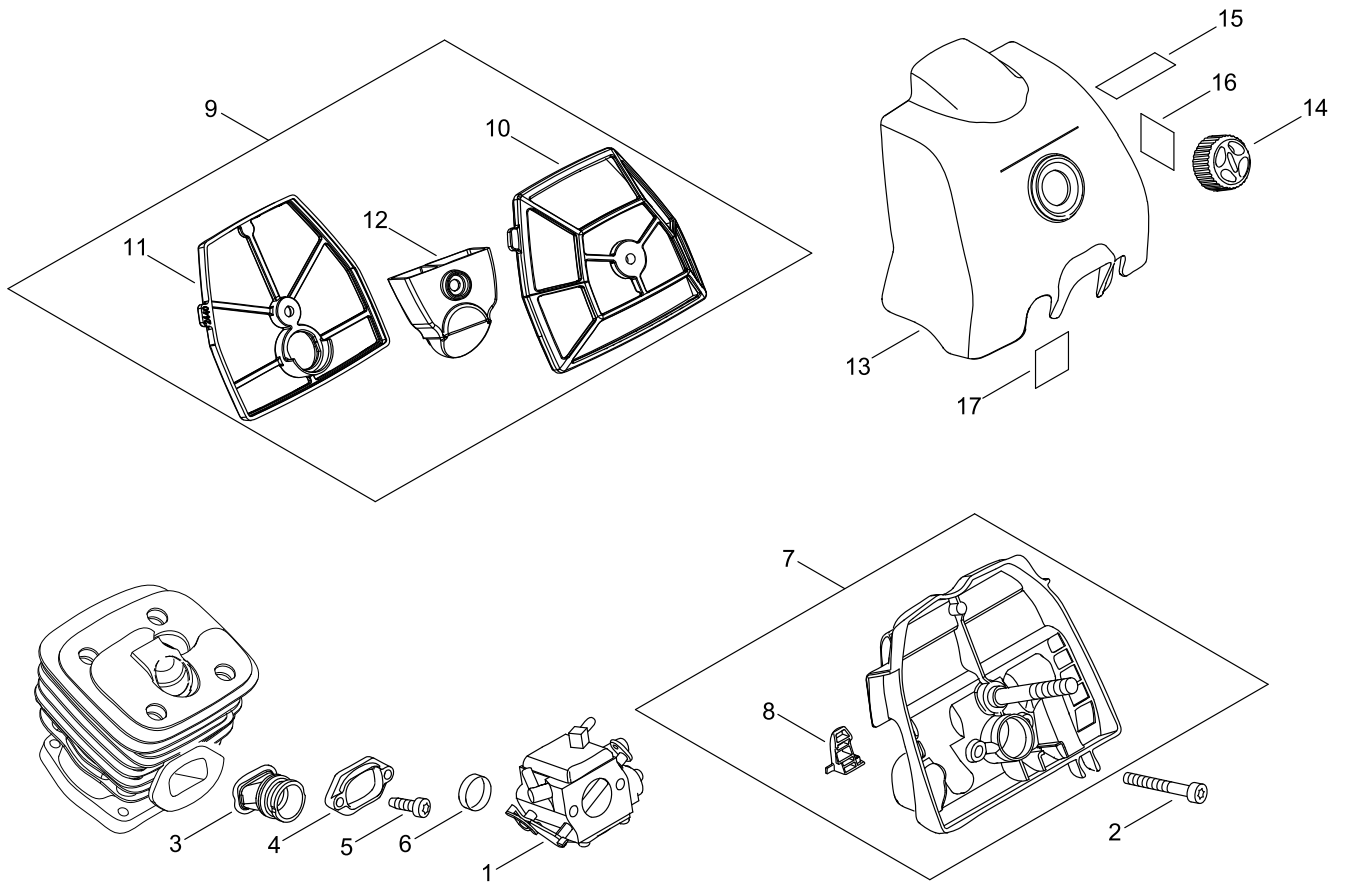


## MAGNETO

Key No.	LV (+)	Part No	Description	Qty	Standard
1		A409-000360	ROTOR, MAGNETO	1	
2		P021-038360	COIL, IGNITION	1	
3		900515-00008	NUT, FLANGE	1	8
4		V805-000000	BOLT, TORX 5	2	TT-5*16 DG 10.9
5		156110-04920	BUSHING	1	
6		V475-004130	TUBE	1	
7		100142-30830	KEY, WOODRUFF	1	
8		A425-000000	SPARKPLUG	1	BPMR8Y
9		A426-000010	TERMINAL, SPARKPLUG	1	
10		A427-000013	CAP, SPARK PLUG	1	
11		A429-000040	COVER, CAP	1	
12		V485-001091	LEAD	1	AVX0.75F
13		177218-19830	PAWL, STARTER	2	
14		900603-00005	WASHER	2	5
15		177234-35430	SPRING, RETURN	2	
16		V835-000000	BOLT, TORX 5	2	
17		177247-04630	SPACER, RATCHET	2	5.2*8*2.1



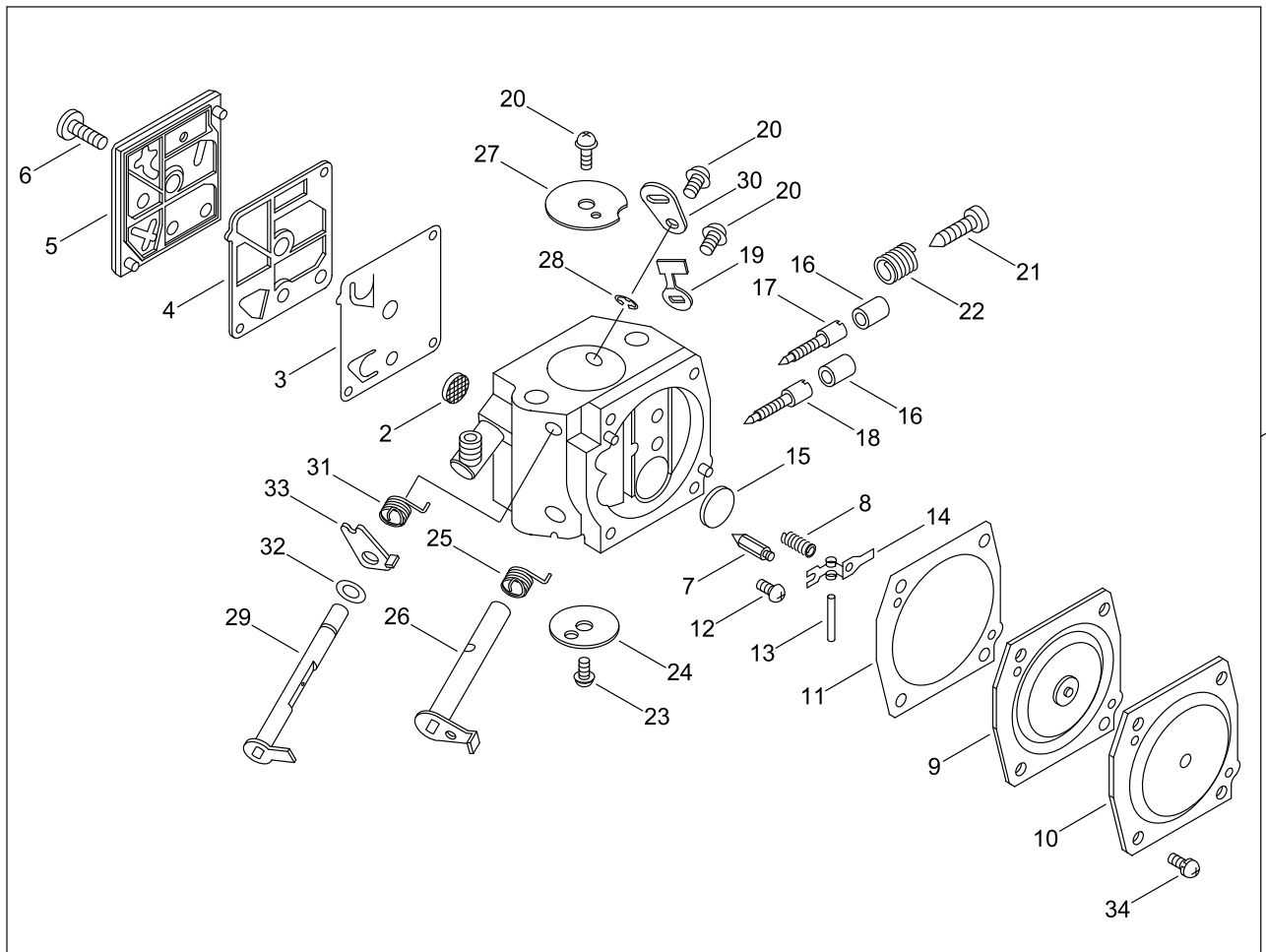
# AIR CLEANER, CARBURETOR



## AIR CLEANER, CARBURETOR

Key No.	LV (+)	Part No	Description	Qty	Standard
1		A021-001661	CARBURETOR, DIAPHRAGM	1	HDA-268A
2		V805-000080	BOLT, TORX 5	2	TB-5*50 10.9
3		A202-000081	BELLOWS, INTAKE	1	
4		A206-000010	HOLDER, BELLOWS	1	
5		V805-000000	BOLT, TORX 5	2	TT-5*16 DG 10.9
6		V360-000060	COLLAR,18	1	
7		P021-016023	CASE,CLEANER	1	
8	+	A219-000000	SHUTTER, AIR	1	
9		P021-016372	ELEMENT,AIR FILTER	1	
10	+	A226-000441	ELEMENT, AIR FILTER	1	AC-200N
11	+	A226-000452	ELEMENT, AIR FILTER	1	AC-200N
12	+	A244-000080	PLATE, PREVENT	1	
13		A232-000472	LID,CLEANER	1	
14		A235-000191	KNOB,CLEANER LID	1	
15		X503-012470	LABEL,MODEL	1	CS-590
16		890631-38131	LABEL, CAUTION	1	
17		890157-39131	LABEL, SWITCH	1	

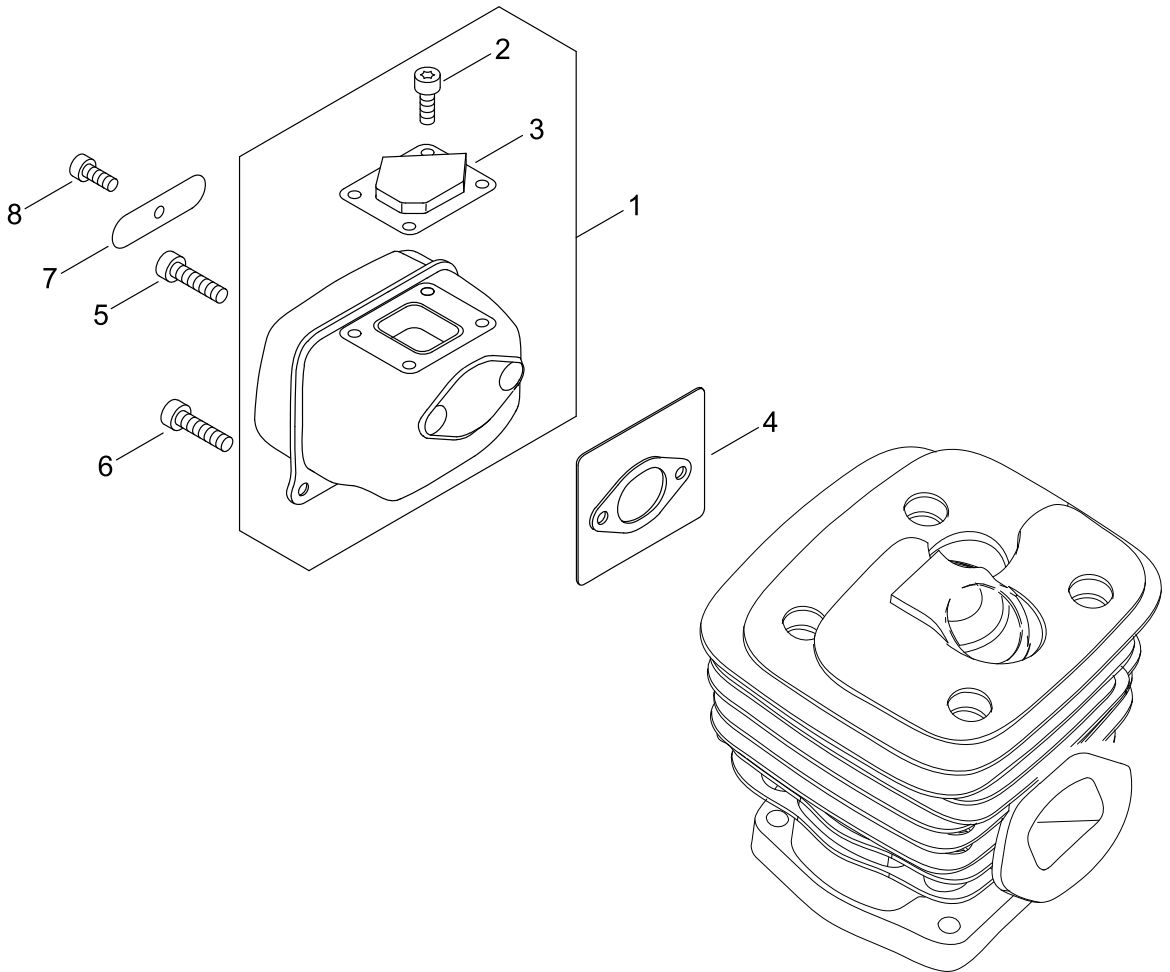
# CARBURETOR



## CARBURETOR

Key No.	LV (+)	Part No	Description	Qty	Standard
1		A021-001661	CARBURETOR, DIAPHRAGM	1	HDA-268A
2	+	123126-10631	SCREEN, INLET	1	
3	+	123112-12330	DIAPHRAGM, FUEL PUMP	1	
4	+	123125-12330	GASKET, FUEL PUMP	1	
5	+	P003-006440	PUMP COVER ASY	1	
6	+	123110-16130	SCREW, PUMP COVER	1	
7	+	123137-19830	VALVE, INLET NEEDLE	1	
8	+	123122-32630	SPRING, METER. LEVER	1	
9	+	P003-004920	DIAPHRAGM ASSY	1	95-649
10	+	123142-17330	COVER, M. DIAPHRAGM	1	
11	+	123140-16130	GASKET, M. DIAPHRAGM	1	
12	+	P003-005400	SCREW	1	
13	+	123138-03930	PIN, METERING LEVER	1	
14	+	123123-18330	LEVER, METERING	1	
15	+	123146-10631	PLUG, WELCH	1	
16	+	P003-000010	LIMITER CAP	2	
17	+	123118-02261	NEEDLE	1	
18	+	123120-32631	NEEDLE, HIGH SPEED	1	
19	+	123156-30830	STOP, THROTTLE	1	
20	+	123114-38830	SCREW	3	
21	+	123134-04260	SCREW, IDLE ADJUST	1	
22	+	123133-04260	SPRING, IDLE ADJUST	1	
23	+	P003-002380	SCREW	1	
24	+	123132-16130	VALVE, CHOKE	1	
25	+	P003-000560	SPRING, THRT. RETURN	1	
26	+	P003-002280	SHAFT, THROTTLE	1	
27	+	123116-16130	VALVE, THROTTLE	1	
28	+	123127-15030	RING	1	
29	+	P003-002290	SHAFT, CHOKE	1	
30	+	P003-002300	LEVER, CHOKE	1	
31	+	P003-000610	SPRING	1	
32	+	123149-26030	WASHER	1	
33	+	P003-000620	LEVER-FAST IDLE	1	
34	+	123130-02960	SCREW	4	

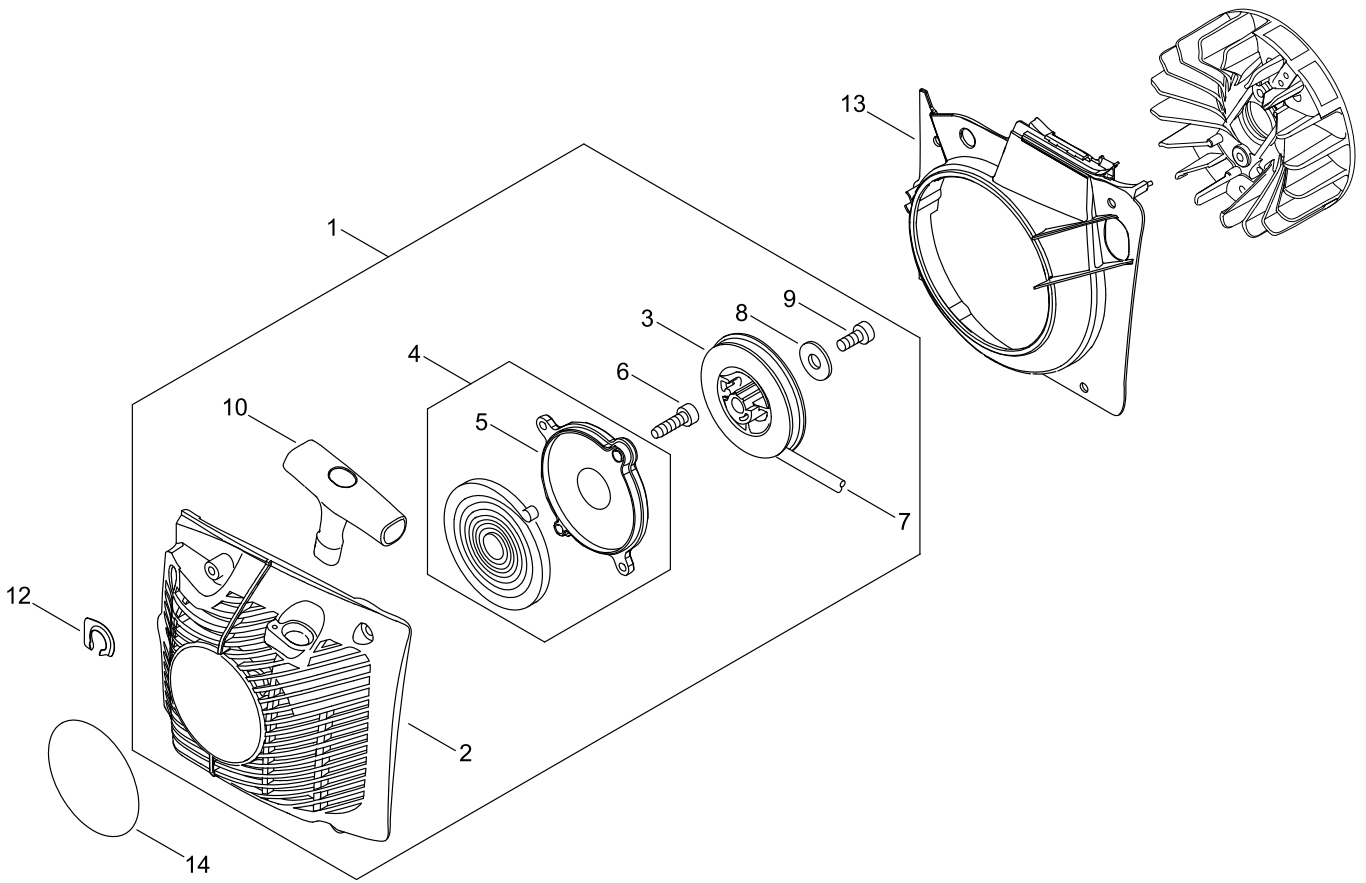
# MUFFLER



## MUFFLER

Key No.	LV (+)	Part No	Description	Qty	Standard
1		P100-007310	MUFFLER ASY	1	
2	+	V804-000030	BOLT, TORX 4	4	TB-4*8 10.9
3	+	A031-000020	GUIDE, EXHAUST	1	
4		V104-002150	GASKET,EXHAUST	1	T 1.6
5		V805-000210	BOLT, TORX 5	2	TB-5*20 12.9
6		V855-000000	BOLT, TORX 5	2	TB-5*20
7		A301-000030	PLATE, MUFFLER	1	T0.5
8		V804-000030	BOLT, TORX 4	1	TB-4*8 10.9

# RECOIL STARTER

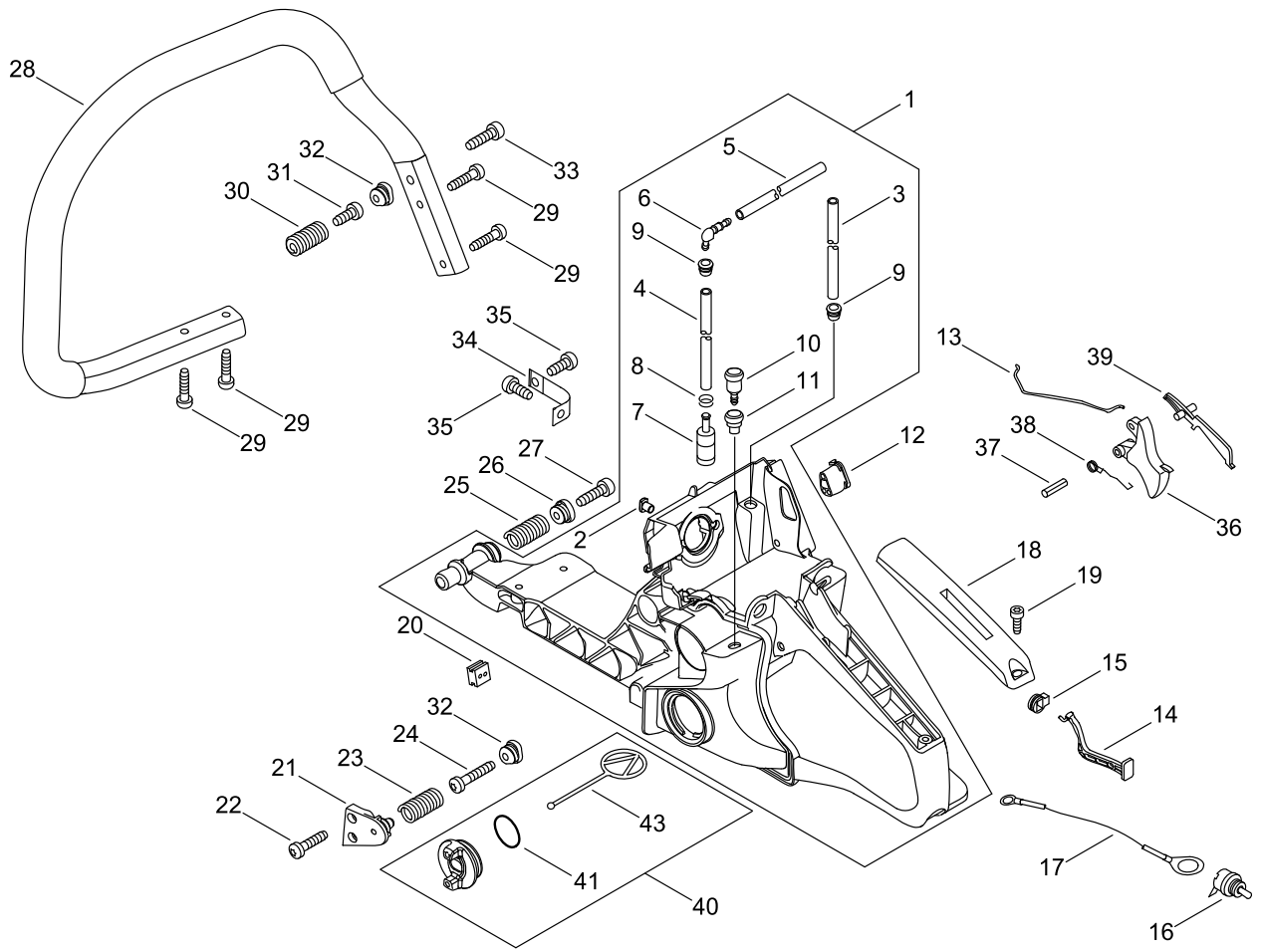


## RECOIL STARTER

Key No.	LV (+)	Part No	Description	Qty	Standard
1		P100-007950	STARTER ASY	1	
2	+	P100-007940	CASE,STARTER	1	
3	+	A506-000112	REEL, ROPE	1	
4	+	P100-002890	SPRING KIT, REWIND	1	
5	++	A503-000032	PLATE, STARTER	1	
6	+	V804-000000	BOLT, TORX 4	2	TT-4*12 DG 10.9
7	+	A509-000460	ROPE	1	
8	+	177214-02830	WASHER	1	5.2*16*1.0T
9	+	V805-000130	BOLT, TORX 5	1	TB-5*10 10.9
10	+	A511-000300	GRIP,STARTER	1	
12		V150-003800	PLATE,EYE	1	
13		A172-000843	COVER,FAN	1	
14		X502-000900	LABEL,ECHO	1	



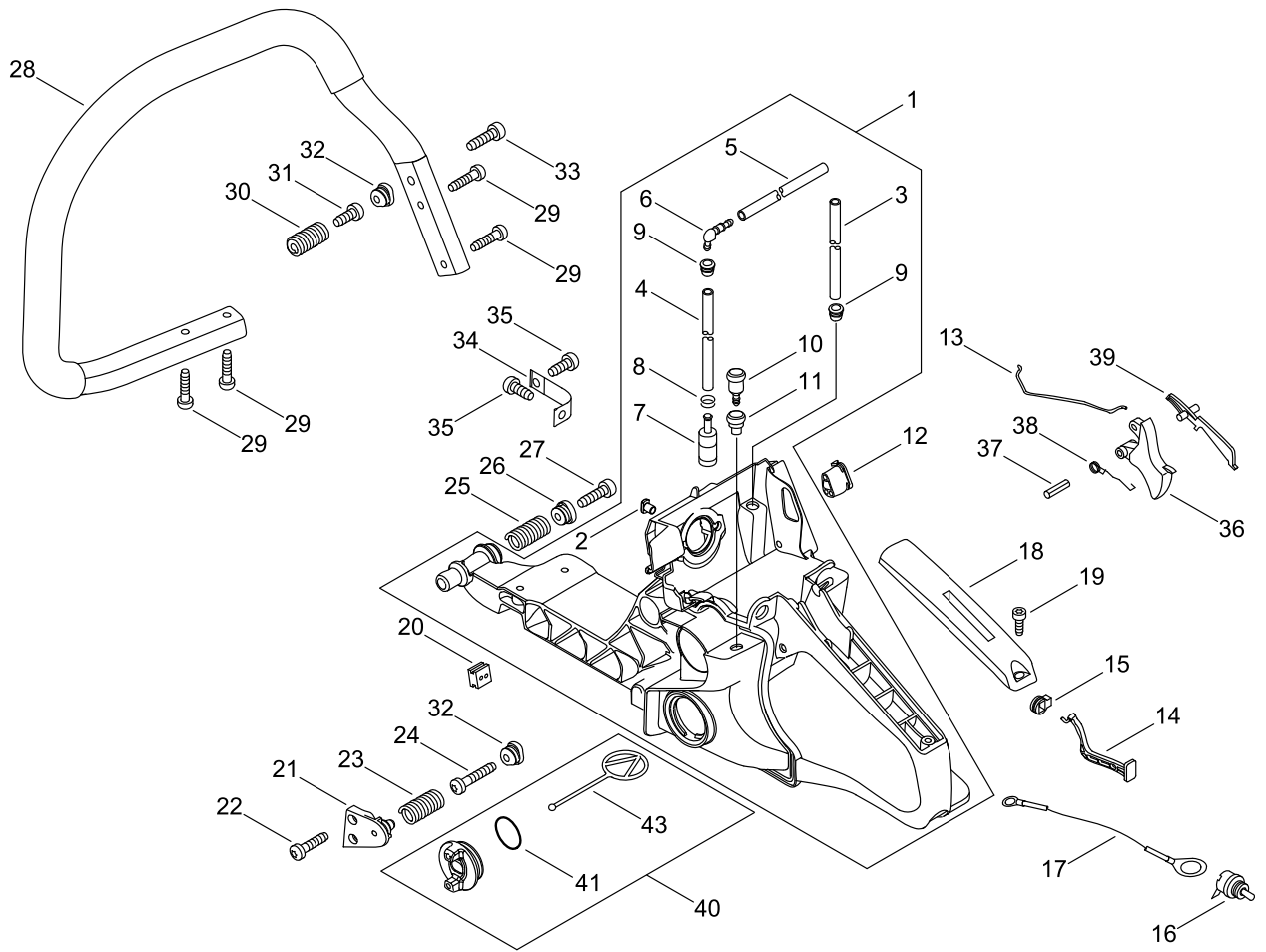
# HANDLE



## HANDLE

Key No.	LV (+)	Part No	Description	Qty	Standard
1		P100-007320	REAR HANDLE ASY	1	
2	+	V263-000450	NUT,5	2	
3	+	130110-30831	PIPE	1	3*6(8)*160
4	+	V471-000601	PIPE	1	3*5*120
5	+	130110-14530	PIPE, IMPULSE	1	3*6*135L
6	+	V186-000500	JOINT,PIPE	1	
7	+	A369-000450	STRAINER, FUEL	1	
8	+	V490-001240	CLIP	1	
9	+	132115-01462	GROMMET	2	
10	+	131300-56431	VENT ASSEMBLY, FUEL	1	
11	+	A359-000001	COVER,VENT	1	22.5*D18*D8.5
12		V131-000020	GROMMET,NEEDLE	1	
13		C454-000170	ROD, THROTTLE	1	
14		A241-000171	KNOB, CHOKE	1	
15		V130-000030	GROMMET,CHOKE	1	
16		A440-001190	SWITCH, ON OFF	1	
17		V485-001101	LEAD	1	L:170/LA105
18		C411-000001	LID,HANDLE	1	
19		V804-000000	BOLT, TORX 4	1	TT-4*12 DG 10.9
20		150114-04920	BUSHING	1	
21		V456-000090	HOLDER,SPRING	1	
22		V805-000010	BOLT, TORX 5	2	TT-5*20 DG 10.9
23		V450-000760	SPRING,COMPRESSION	1	17*36.7*2.6
24		V805-000230	BOLT, TORX 5	1	TT-5*25 DG 10.9
25		V450-000771	SPRING,COMPRESSION	1	20*40*3.3
26		V456-000101	HOLDER,SPRING	1	
27		V806-000000	BOLT, TORX 6	1	TT-6*20 DG 10.9
28		C400-000551	HANDLE,FRONT	1	
29		V805-000010	BOLT, TORX 5	4	TT-5*20 DG 10.9
30		V450-000730	SPRING,COMPRESSION	1	17*38.4
31		V805-000000	BOLT, TORX 5	1	TT-5*16 DG 10.9
32		V456-000080	HOLDER,SPRING	2	14.4
33		V806-000000	BOLT, TORX 6	1	TT-6*20 DG 10.9
34		C617-000362	STOPPER	1	
35		V805-000000	BOLT, TORX 5	2	TT-5*16 DG 10.9
36		C450-000360	CONTROL, THROTTLE	1	
37		900345-40025	PIN, SPRING	1	4*25
38		V452-000260	SPRING,TORSION	1	
39		178090-37930	LOCKOUT, T. CONTROL	1	
40		P100-004891	CAP,FUEL ASY	1	
41	+	V581-000600	RING,O	1	P29

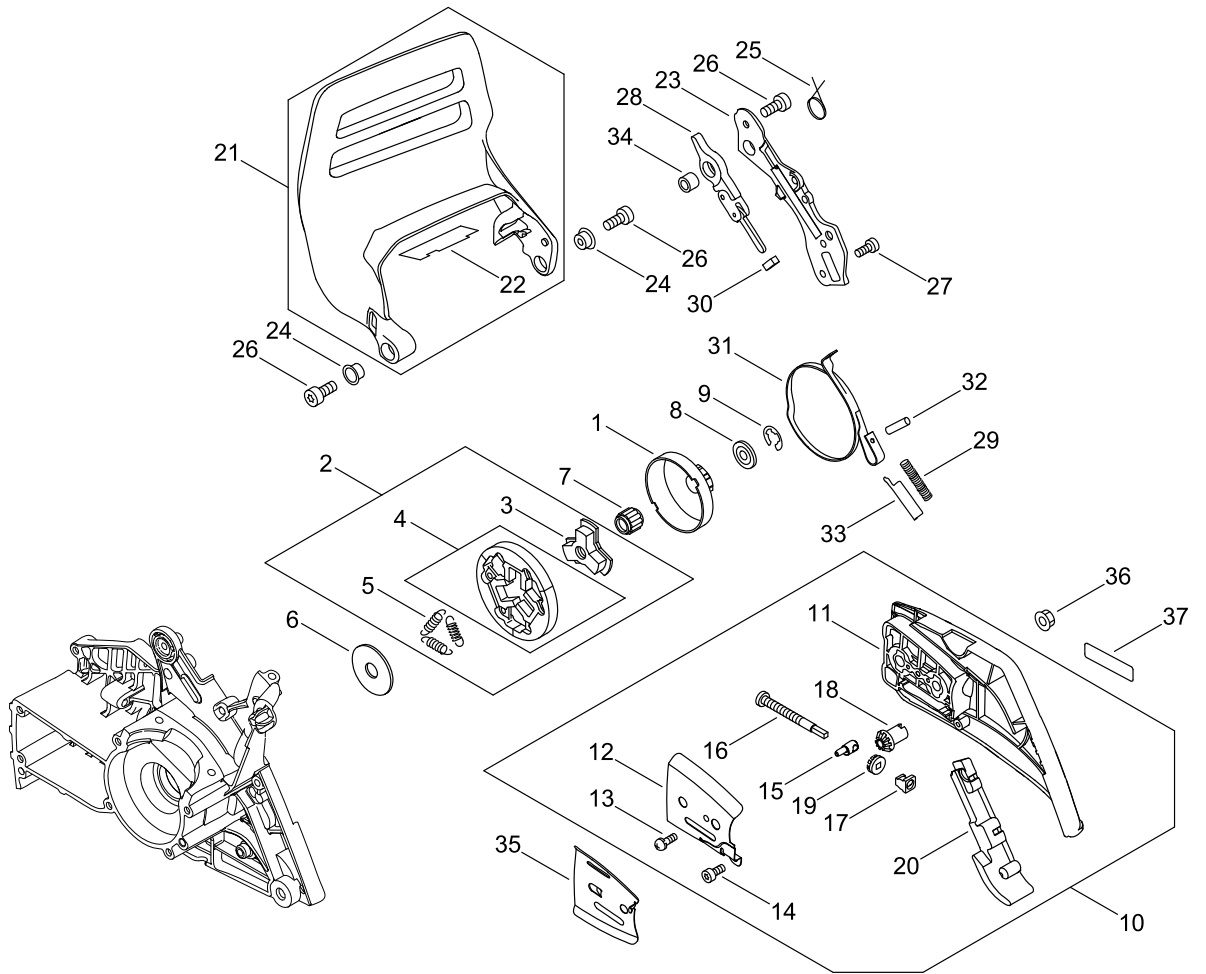
# HANDLE



## HANDLE

Key No.	LV (+)	Part No	Description	Qty	Standard
43	+	A365-000050	CONNECTOR,CAP	1	

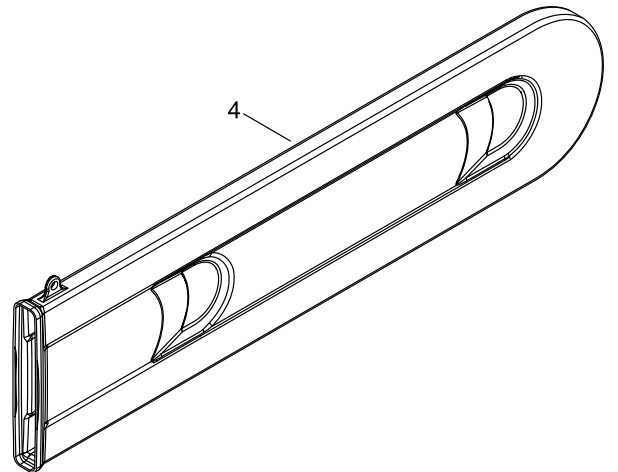
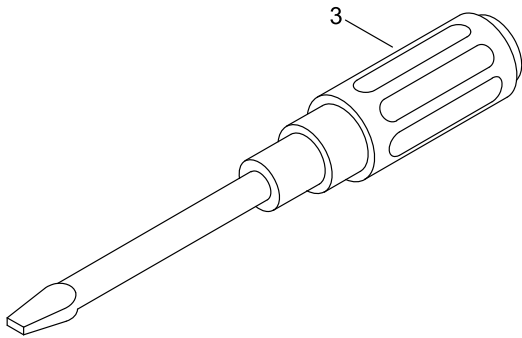
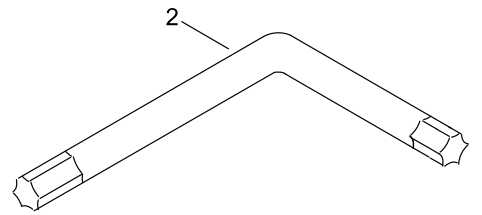
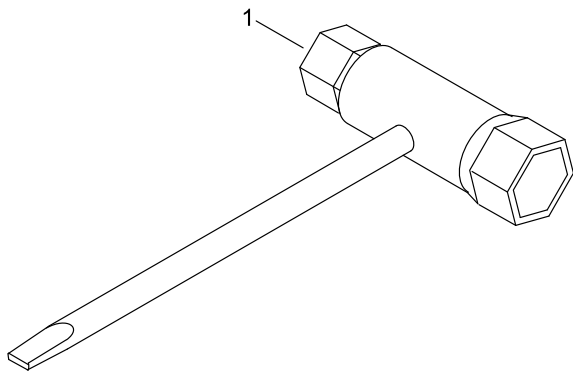
# CHAIN BRAKE



## CHAIN BRAKE

Key No.	LV (+)	Part No	Description	Qty	Standard
1		A556-001580	DRUM, CLUTCH	1	3/8_SPUR
2		A056-000221	CLUTCH ASY	1	VA
3	+	A552-000110	HUB, CLUTCH	1	
4		P021-007051	CLUTCH SHOE SET	1	
5	+	V451-000500	SPRING,TENSION	3	
6		A551-000110	PLATE, CLUTCH	1	12*36*2
7		V555-000010	BEARING,NEEDLE 10	1	
8		V307-000510	WASHER,CIRCULAR 10	1	
9		V583-000440	RING	1	8.1 T1.2
10		P021-050780	GUARD, SPROCKET ASY	1	
11	+	C300-000413	GUARD, SPROCKET	1	
12	+	C305-000101	PLATE,SPROCKET GUARD	1	
13	+	900241-03006	SCREW	1	3*6
14	+	V804-000000	BOLT, TORX 4	1	TT-4*12 DG 10.9
15	+	C309-000160	TENSIONER, CHAIN	1	
16	+	V203-002140	BOLT,5	1	
17	+	V355-000800	COLLAR,8	1	
18	+	V651-001040	GEAR,BEVEL	1	
19	+	V651-001050	GEAR,BEVEL	1	
20	+	C302-000090	PAD, GUARD	1	
21		P100-002880	BRAKE LEVER ASY	1	
22	+	V341-000131	WASHER,SQUARE	1	75*27*0.15
23		C345-000283	COVER,BRAKE	1	
24		V356-000440	COLLAR,10	2	11.2*16.2*T0.6
25		V452-000400	SPRING,TORSION	1	
26		V805-000000	BOLT, TORX 5	5	TT-5*16 DG 10.9
27		V804-000000	BOLT, TORX 4	1	TT-4*12 DG 10.9
28		C334-000111	CONNECTOR, BRAKE	1	ASSY
29		V450-000740	SPRING,COMPRESSION	1	12*70.5
30		V376-000450	SPACER	1	
31		C328-000121	BAND, BRAKE	1	
32		93050-30098	ROLLER	1	3*9.8
33		C603-000220	PLATE, SIDE	1	T0.3
34		V356-000470	COLLAR,10	1	12*10*T1.0
35		C305-000111	PLATE,SPROCKET GUARD	1	
36		V265-000200	NUT	2	
37		X502-000340	LABEL,ECHO	1	ECHO(WHITE)

# ACCESSORIES

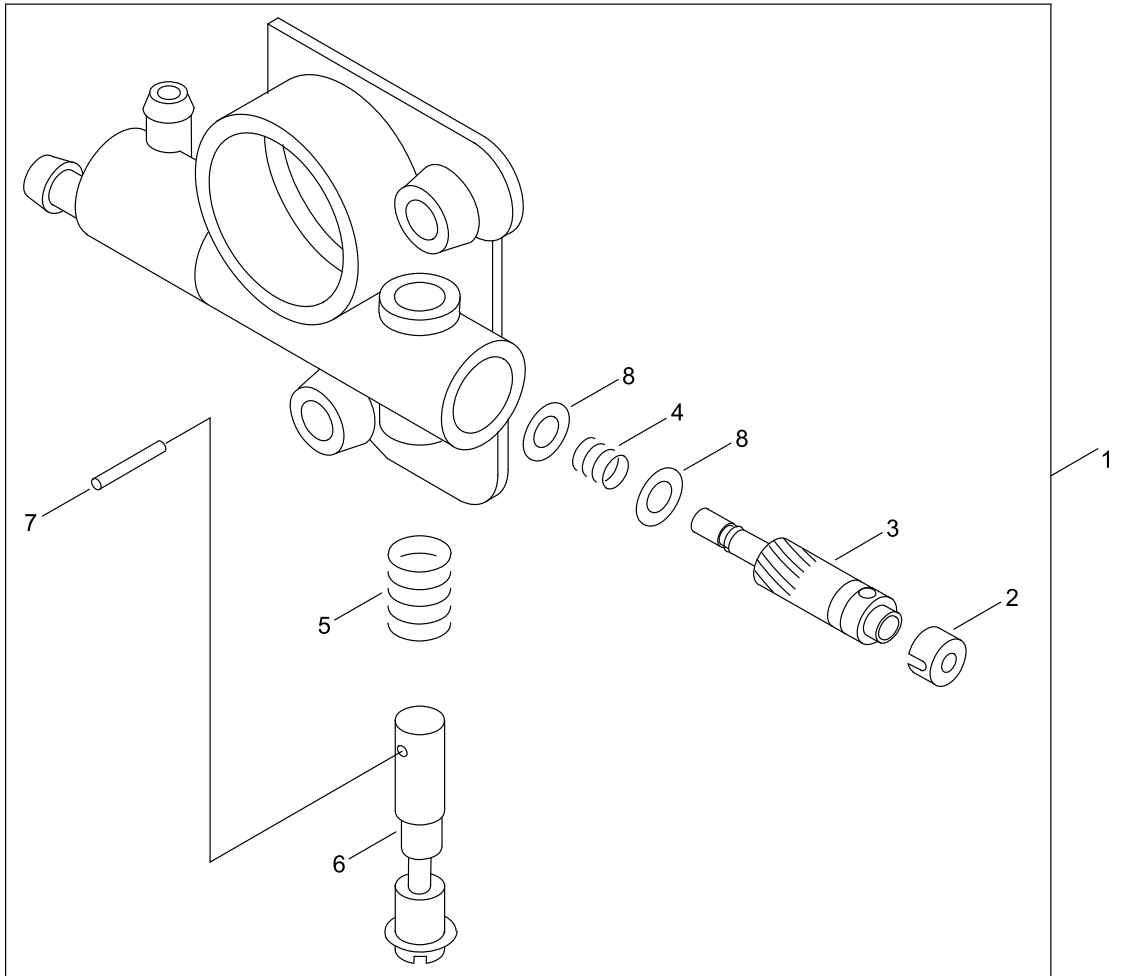


## ACCESSORIES

Key No.	LV (+)	Part No	Description	Qty	Standard
1		X602-000080	TOOL,WRENCH	1	13*19 L180
2		X605-000190	TOOL,L WRENCH	1	T27 120*80
3		895812-03930	DRIVER, SCREW 50	1	
4		X490-000720	SCABBARD,CHAIN	1	





# OILER



## OILER

Key No.	LV (+)	Part No	Description	Qty	Standard
1		C022-000053	AUTO-OILER ASSEMBLY	1	ZP02A
2	+	P022-038170	CAP, PLUNGER	1	
3	+	P022-038180	SHAFT ASY-PLUNGER	1	
4	+	P022-049820	SPRING, PLUNGER	1	
5	+	P022-010670	SPRING	1	
6	+	P022-038200	SCREW KIT, ADJUST	1	
7	+	P022-038210	SPRING PIN	1	
8	+	P022-049140	WASHER	2	

## GUIDE BAR, CHAIN

Pitch ピッチ	Gauge ゲージ	Length 長さ	Guide Bar ガイドバー		Saw Chain ソーチェン		Hard Nose ハード ノーズ 	Sprocket Nose スプロケット ノーズ 
			Key No	Type 形式	Key No	Type 形式		
3/8 9.53	0.058 1.47	40	A1	S40S73-60AA- ED	A2	73LGX-60E		●
3/8 8.53	0.058 1.47	45	B1	S45S73-64AA- ED	B2	73LGX-64E		●
3/8 9.53	0.058 1.47	50	C1	S50S73-72AA- ED	C2	91VXL-53E		●
3/8 9.53	0.058 1.47	50	D1	S50S73-72AA- ED	D2	73LGX-72E		●

## GUIDE BAR, CHAIN

Key No.	LV (+)	Part No	Description	Qty	Standard
A1		X124-000481	BAR,GUIDE 40	1	S40S73-60AA-ED
A2		X264-000040	CHAIN,SAW	1	73LGX-60E
B1		X125-000171	BAR,GUIDE 45	1	S45S73-64AA-ED
B2		431017-30831	CHAIN, SAW 73LGX-64E	1	73LGX-64E
C1		X126-000141	BAR,GUIDE 50	1	S50S73-72AA-ED
C2		431012-30831	CHAIN, SAW 73LGX-72E	1	73LGX-72E
D1		X126-000141	BAR,GUIDE 50	1	S50S73-72AA-ED
D2		431012-30831	CHAIN, SAW 73LGX-72E	1	73LGX-72E

# NUMERICAL PARTS INDEX

Part No	Part description	Page	Part No	Part description	Page	Part No	Part description	Page
100142-3-0830	KEY, WOODRUFF	6	130110-3-0831	PIPE	16	900603-0-0005	WASHER	6
123110-1-6130	SCREW, PUMP COVER	10	131300-5-6431	VENT ASSEMBLY, FUEL	16	900701-0-0015	RETAINING RING, EXTERNAL	2
123112-1-2330	DIAPHRAGM, FUEL PUMP	10	132115-0-1462	GROMMET	4	900720-2-0029	O-RING	4
123114-3-8830	SCREW	10	132115-0-1462	GROMMET	16	93050-30-098	ROLLER	20
123116-1-6130	VALVE, THROTTLE	10	150114-0-4920	BUSHING	16	94036-46-202	BEARING, BALL	4
123118-0-2261	NEEDLE	10	156110-0-4920	BUSHING	6	A011-00-1270	CRANKSHAFT,ASY	2
123120-3-2631	NEEDLE, HIGH SPEED	10	177214-0-2830	WASHER	14	A014-00-0110	RELEASE ASY., COMP.	2
123122-3-2630	SPRING, METER. LEVER	10	177218-1-9830	PAWL, STARTER	6	A021-00-1661	CARBURETOR, DIAPHRAGM	8
123123-1-8330	LEVER, METERING	10	177234-3-5430	SPRING, RETURN	6	A021-00-1661	CARBURETOR, DIAPHRAGM	10
123125-1-2330	GASKET, FUEL PUMP	10	177247-0-4630	SPACER, RATCHET	6	A031-00-0020	GUIDE, EXHAUST	12
123126-1-0631	SCREEN, INLET	10	178090-3-7930	LOCKOUT, T. CONTROL	16	A056-00-0221	CLUTCH ASY	20
123127-1-5030	RING	10	431012-3-0831	CHAIN, SAW 73LGX-72E	26	A101-00-0210	RING, PISTON	2
123130-0-2960	SCREW	10	431017-3-0831	CHAIN, SAW 73LGX-64E	26	A130-00-2041	CYLINDER	2
123132-1-6130	VALVE, CHOKE	10	433011-1-9831	STUD, GUIDE BAR	4	A172-00-0843	COVER,FAN	14
123133-0-4260	SPRING, IDLE ADJUST	10	436114-1-3930	VALVE, CHECK	4	A202-00-0081	BELLOWS, INTAKE	8
123134-0-4260	SCREW, IDLE ADJUST	10	436205-1-4730	STRAINER, OIL	2	A206-00-0010	HOLDER, BELLOWS	8
123137-1-9830	VALVE, INLET NEEDLE	10	437210-3-0831	PIPE	2	A219-00-0000	SHUTTER, AIR	8
123138-0-3930	PIN, METERING LEVER	10	890157-3-9131	LABEL, SWITCH	8	A226-00-0441	ELEMENT, AIR FILTER	8
123140-1-6130	GASKET, M. DIAPHRAGM	10	890345-3-9231	LABEL,CAUTION	4	A226-00-0452	ELEMENT, AIR FILTER	8
123142-1-7330	COVER, M. DIAPHRAGM	10	890631-3-8131	LABEL, CAUTION	8	A232-00-0472	LID,CLEANER	8
123146-1-0631	PLUG, WELCH	10	895812-0-3930	DRIVER, SCREW 50	22	A235-00-0191	KNOB,CLEANER LID	8
123149-2-6030	WASHER	10	900241-0-3006	SCREW	20	A239-00-0060	PIPE, INTAKE	4
123156-3-0830	STOP, THROTTLE	10	900345-4-0025	PIN, SPRING	16	A239-00-0070	PIPE, INTAKE	4
130110-1-4530	PIPE, IMPULSE	16	900515-0-0008	NUT, FLANGE	6	A241-00-0171	KNOB, CHOKE	16

# NUMERICAL PARTS INDEX

Part No	Part description	Page	Part No	Part description	Page	Part No	Part description	Page
A244-00-0080	PLATE, PREVENT	8	C305-00-0101	PLATE, SPROCKET GUARD	20	P003-00-6440	PUMP COVER ASY	10
A301-00-0030	PLATE, MUFFLER	12	C305-00-0111	PLATE, SPROCKET GUARD	20	P021-00-7051	CLUTCH SHOE SET	20
A359-00-0001	COVER, VENT	16	C309-00-0160	TENSIONER, CHAIN	20	P021-01-6023	CASE, CLEANER	8
A365-00-0050	CONNECTOR, CAP	4	C310-00-0010	CATCHER, CHAIN	4	P021-01-6372	ELEMENT, AIR FILTER	8
A365-00-0050	CONNECTOR, CAP	18	C328-00-0121	BAND, BRAKE	20	P021-03-8360	COIL, IGNITION	6
A369-00-0450	STRAINER, FUEL	16	C334-00-0111	CONNECTOR, BRAKE	20	P021-03-8790	PISTON KIT	2
A409-00-0360	ROTOR, MAGNETO	6	C345-00-0283	COVER, BRAKE	20	P021-05-0780	GUARD, SPROCKET ASY	20
A425-00-0000	SPARKPLUG	6	C400-00-0551	HANDLE, FRONT	16	P022-01-0670	SPRING	24
A426-00-0010	TERMINAL, SPARKPLUG	6	C411-00-0001	LID, HANDLE	16	P022-03-8170	CAP, PLUNGER	24
A427-00-0013	CAP, SPARK PLUG	6	C450-00-0360	CONTROL, THROTTLE	16	P022-03-8180	SHAFT ASY- PLUNGER	24
A429-00-0040	COVER, CAP	6	C454-00-0170	ROD, THROTTLE	16	P022-03-8200	SCREW KIT, ADJUST	24
A440-00-1190	SWITCH, ON OFF	16	C603-00-0220	PLATE, SIDE	20	P022-03-8210	SPRING PIN	24
A503-00-0032	PLATE, STARTER	14	C617-00-0362	STOPPER	16	P022-04-9140	WASHER	24
A506-00-0112	REEL, ROPE	14	E106-00-0020	GUIDE, AIR	4	P022-04-9820	SPRING, PLUNGER	24
A509-00-0460	ROPE	14	P003-00-0010	LIMITER CAP	10	P100-00-2830	CYLINDER COVER ASY	4
A511-00-0300	GRIP, STARTER	14	P003-00-0560	SPRING, THRT. RETURN	10	P100-00-2880	BRAKE LEVER ASY	20
A551-00-0110	PLATE, CLUTCH	20	P003-00-0610	SPRING	10	P100-00-2890	SPRING KIT, REWIND	14
A552-00-0110	HUB, CLUTCH	20	P003-00-0620	LEVER-FAST IDLE	10	P100-00-4881	CAP, OIL ASY	4
A556-00-1580	DRUM, CLUTCH	20	P003-00-2280	SHAFT, THROTTLE	10	P100-00-4891	CAP, FUEL ASY	16
C022-00-0053	AUTO-OILER ASSEMBLY	2	P003-00-2290	SHAFT, CHOKE	10	P100-00-7310	MUFFLER ASY	12
C022-00-0053	AUTO-OILER ASSEMBLY	24	P003-00-2300	LEVER, CHOKE	10	P100-00-7320	REAR HANDLE ASY	16
C300-00-0413	GUARD, SPROCKET	20	P003-00-2380	SCREW	10	P100-00-7940	CASE, STARTER	14
C302-00-0090	PAD, GUARD	20	P003-00-4920	DIAPHRAGM ASSY	10	P100-00-7950	STARTER ASY	14
C304-00-0280	SPIKED	4	P003-00-5400	SCREW	10	P200-00-0980	CRANKCASE SET	4

# NUMERICAL PARTS INDEX

Part No	Part description	Page	Part No	Part description	Page	Part No	Part description	Page
V100-00-0270	GASKET,CYL	2	V450-00-0730	SPRING, COMPRESSION	16	V651-00-1040	GEAR,BEVEL	20
V102-00-0060	GASKET, CRANKCASE	4	V450-00-0740	SPRING, COMPRESSION	20	V651-00-1050	GEAR,BEVEL	20
V104-00-2150	GASKET,EXHAUST	12	V450-00-0760	SPRING, COMPRESSION	16	V652-00-0050	GEAR,WORM	2
V130-00-0030	GROMMET,CHOKE	16	V450-00-0771	SPRING, COMPRESSION	16	V804-00-0000	BOLT, TORX 4	2
V131-00-0020	GROMMET,NEEDLE	16	V451-00-0500	SPRING,TENSION	20	V804-00-0000	BOLT, TORX 4	14
V141-00-0090	GROMMET,PLUG	2	V452-00-0260	SPRING,TORSION	16	V804-00-0000	BOLT, TORX 4	16
V150-00-3800	PLATE,EYE	14	V452-00-0400	SPRING,TORSION	20	V804-00-0000	BOLT, TORX 4	20
V186-00-0500	JOINT,PIPE	16	V456-00-0080	HOLDER,SPRING	16	V804-00-0030	BOLT, TORX 4	12
V203-00-2140	BOLT,5	20	V456-00-0090	HOLDER,SPRING	16	V805-00-0000	BOLT, TORX 5	4
V263-00-0450	NUT,5	16	V456-00-0101	HOLDER,SPRING	16	V805-00-0000	BOLT, TORX 5	6
V265-00-0200	NUT	20	V470-00-0830	PIPE	2	V805-00-0000	BOLT, TORX 5	8
V307-00-0510	WASHER,CIRCULAR 10	20	V471-00-0601	PIPE	16	V805-00-0000	BOLT, TORX 5	16
V308-00-0040	WASHER,CIRCULAR 11	2	V475-00-4130	TUBE	6	V805-00-0000	BOLT, TORX 5	20
V311-00-0090	WASHER,CIRCULAR 16-1	2	V485-00-1091	LEAD	6	V805-00-0010	BOLT, TORX 5	4
V341-00-0131	WASHER,SQUARE	20	V485-00-1101	LEAD	16	V805-00-0010	BOLT, TORX 5	16
V341-00-0140	WASHER,SQUARE	4	V490-00-1240	CLIP	2	V805-00-0020	BOLT, TORX 5	4
V355-00-0800	COLLAR,8	20	V490-00-1240	CLIP	16	V805-00-0080	BOLT, TORX 5	8
V356-00-0440	COLLAR,10	20	V508-00-0100	SEAL,OIL 15	4	V805-00-0130	BOLT, TORX 5	14
V356-00-0470	COLLAR,10	20	V555-00-0010	BEARING,NEEDLE 10	20	V805-00-0160	BOLT, TORX 5	4
V358-00-0090	COLLAR,14	2	V556-00-0000	BEARING,NEEDLE 11	2	V805-00-0170	BOLT, TORX 5	4
V360-00-0060	COLLAR,18	8	V580-00-0030	RING,END	2	V805-00-0210	BOLT, TORX 5	12
V376-00-0450	SPACER	20	V581-00-0600	RING,O	16	V805-00-0220	BOLT, TORX 5	2
V376-00-1780	SPACER	4	V583-00-0440	RING	20	V805-00-0230	BOLT, TORX 5	16
V420-00-3800	CUSHION	4	V609-00-0010	PIN,ENG 11	2	V806-00-0000	BOLT, TORX 6	16

## NUMERICAL PARTS INDEX

Part No	Part description	Page
V835-00-0000	BOLT, TORX 5	6
V855-00-0000	BOLT, TORX 5	12
X124-00-0481	BAR,GUIDE 40	26
X125-00-0171	BAR,GUIDE 45	26
X126-00-0141	BAR,GUIDE 50	26
X264-00-0040	CHAIN,SAW	26
X490-00-0720	SCABBARD,CHAIN	22
X502-00-0340	LABEL,ECHO	20
X502-00-0900	LABEL,ECHO	14
X503-01-2470	LABEL,MODEL	8
X602-00-0080	TOOL,WRENCH	22
X605-00-0190	TOOL,L WRENCH	22