

CS-4310SX

Serial Number

C92440000001-C92440999999

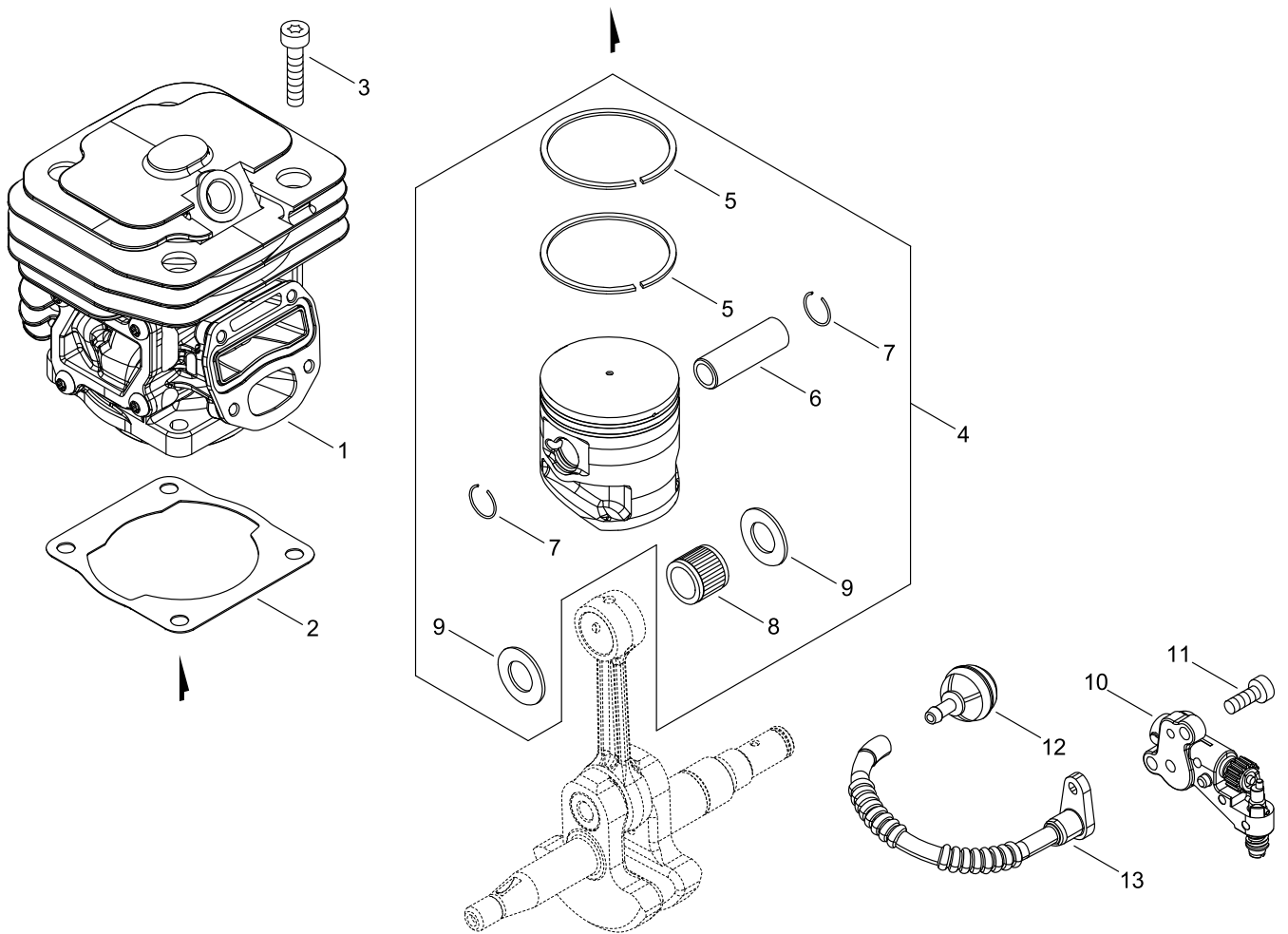
Last updated date

17/Jan/2023

TABLE OF CONTENTS

CYLINDER, PISTON	1
CRANKCASE	3
MAGNETO.....	5
AIR CLEANER, CARBURETOR.....	7
CARBURETOR.....	9
MUFFLER.....	11
RECOIL STARTER.....	13
HANDLE.....	15
CHAIN BRAKE.....	17
ACCESSORIES	19
GUIDE BAR, CHAIN	21
OPTION PARTS.....	23

CYLINDER, PISTON



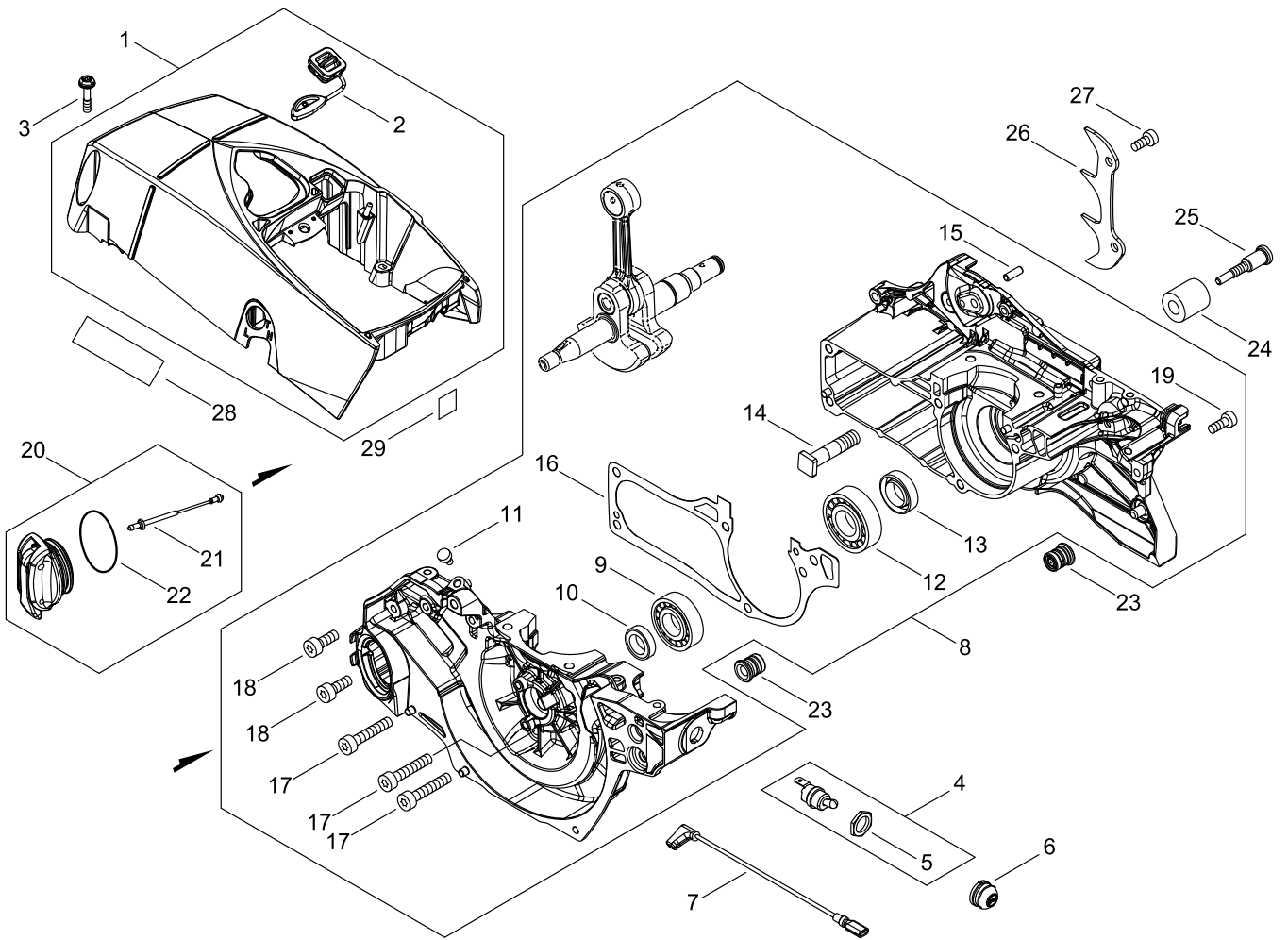
CYLINDER, PISTON

Key No.	LV (+)	Parts Number	Parts Description	Qty	Standard	Class
1		P100-008310	CYLINDER ASY	1		
2		V100-000890	GASKET,CYL	1	T0.5	B
3		V805-000210	BOLT, TORX 5	4	TB-5*20 12.9	C
4		P100-008320	PISTON KIT	1		
5	+	A101-000800	RING, PISTON	2		B
6	+	100013-39730	PIN, PISTON	1		D
7	+	V580-000110	SNAP RING	2		C
8	+	V555-000140	BEARING,NEEDLE	1		B
9	+	100014-02260	WASHER	2		C
10		C022-000221	AUTO-OILER ASSEMBLY	1	ZP05	C
11		V804-000050	BOLT, TORX 4	2	TB-4*12 10.9	C
12		436205-14730	STRAINER, OIL	1		B
13		V470-002370	PIPE	1		C

Class : Consumable class

A:Fast moving parts B:Semi-fast moving parts C:Slow moving parts D:Order only as needed

CRANKCASE



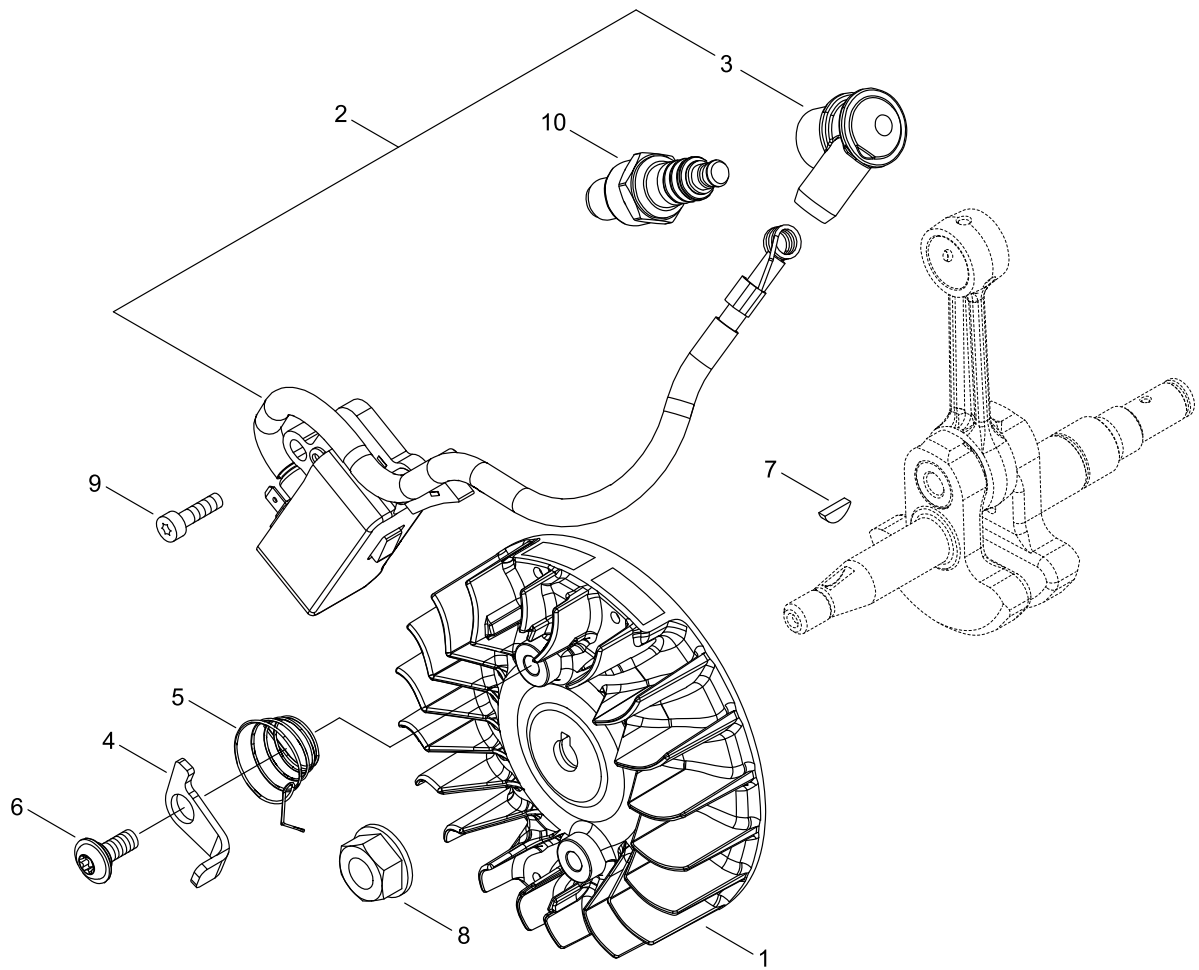
CRANKCASE

Key No.	LV (+)	Parts Number	Parts Description	Qty	Standard	Class
1		P100-008501	CYLINDER COVER ASY	1		C
2	+	A219-000080	SHUTTER, AIR	1		C
3		V202-000780	BOLT,4	3	M4*18_12.9	C
4		P100-011170	SWITCH, ON OFF	1		C
5	+	V266-000260	NUT,10	1	M10X0.75	C
6		V494-001250	CAP	1	STOP SWITCH	C
7		V485-003410	LEAD	1		C
8		P100-011190	CRANKCASE SET	1		C
9	+	94035-36201	BEARING, BALL	1	6201	
10	+	V505-000070	OIL SEAL	1		C
11	+	A356-000130	VALVE,CHECK	1		B
12	+	V592-000290	BEARING, BALL	1	6202X47C3	C
13	+	V508-000070	OIL SEAL	1		C
14	+	433011-19831	STUD, GUIDE BAR	2		C
15	+	V629-000000	ROLLER	2		C
16	+	V102-000340	GASKET,CRANKCASE	1	T0.3	B
17	+	V805-000180	BOLT, TORX 5	3	TB-5*30 12.9	C
18	+	V805-000250	BOLT, TORX 5	2	TB-5*16 12.9	C
19	+	V804-000100	BOLT, TORX 4	1	TB-4*16 12.9	C
20		P100-008410	CAP,OIL ASY	1		C
21	+	A365-000150	CONNECTOR,CAP	1		B
22	+	900720-20029	O-RING	1	P-29	
23		V420-005550	CUSHION	2		B
24		C310-000110	CATCHER, CHAIN	1		B
25		V203-002480	BOLT,5	1		C
26		C304-000140	SPIKE	1		C
27		V805-000300	BOLT, TORX 5	2	TB-5*12 12.9	C
28		X502-000390	LABEL,ECHO	1	ECHO 72.5*15	D
29		X510-001310	LABEL,SWITCH	1	PUSH STOP	D

Class : Consumable class

A:Fast moving parts B:Semi-fast moving parts C:Slow moving parts D:Order only as needed

MAGNETO



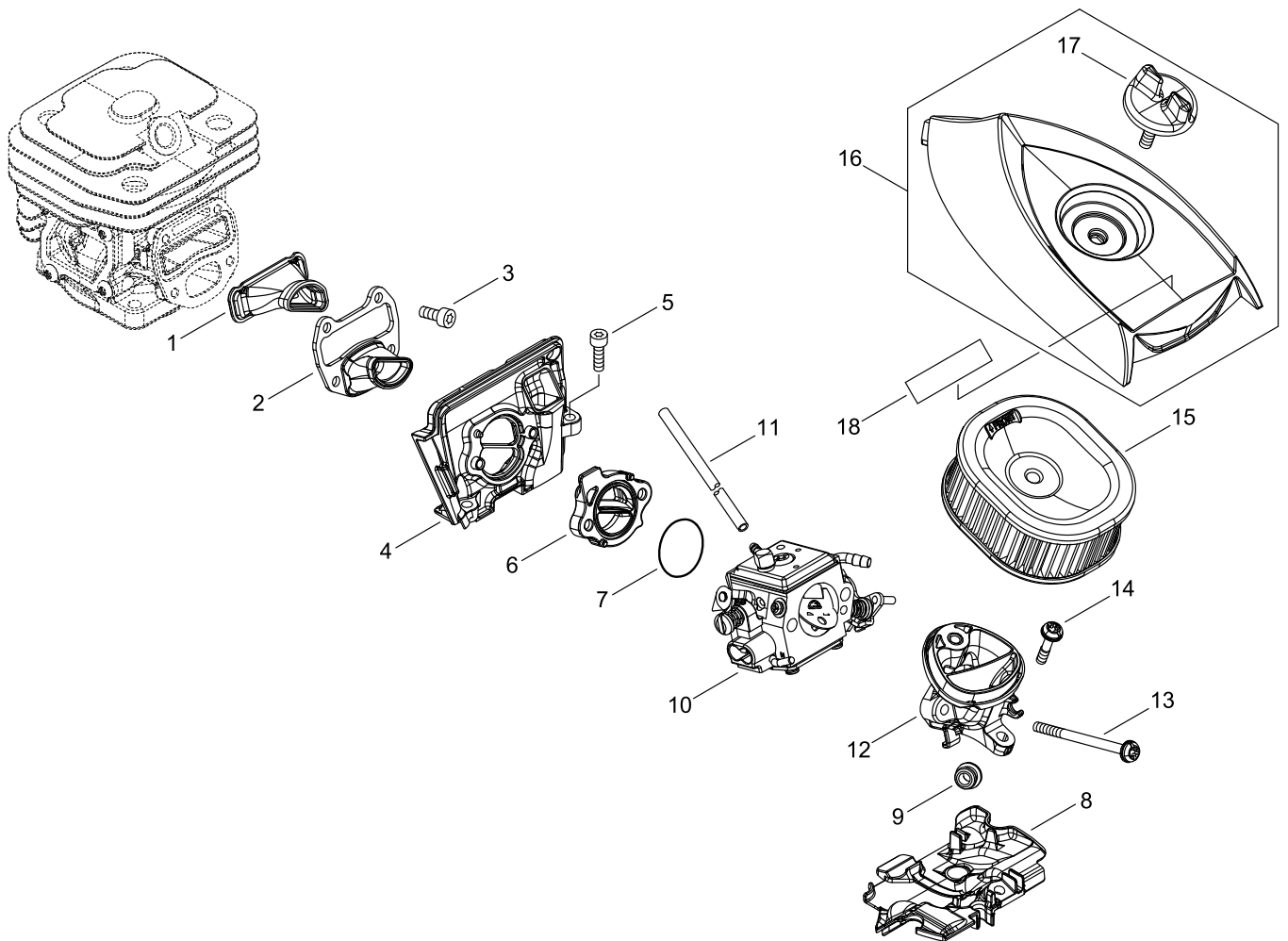
MAGNETO

Key No.	LV (+)	Parts Number	Parts Description	Qty	Standard	Class
1		A409-001390	ROTOR, MAGNETO	1		C
2		P200-001650	COIL, IGNITION ASY	1		C
3	+	A427-000190	CAP, SPARK PLUG	1		C
4		A514-000220	PAWL	2		C
5		V452-000870	SPRING, TORSION	2		B
6		V203-002250	BOLT, 5	2		C
7		93115-03010	KEY, WOODRUFF	1	3*10	C
8		900515-00008	NUT, FLANGE	1	8	
9		V804-000100	BOLT, TORX 4	2	TB-4*16 12.9	C
10		A425-000060	SPARKPLUG	1	CMR7H	A

Class : Consumable class

A:Fast moving parts B:Semi-fast moving parts C:Slow moving parts D:Order only as needed

AIR CLEANER, CARBURETOR



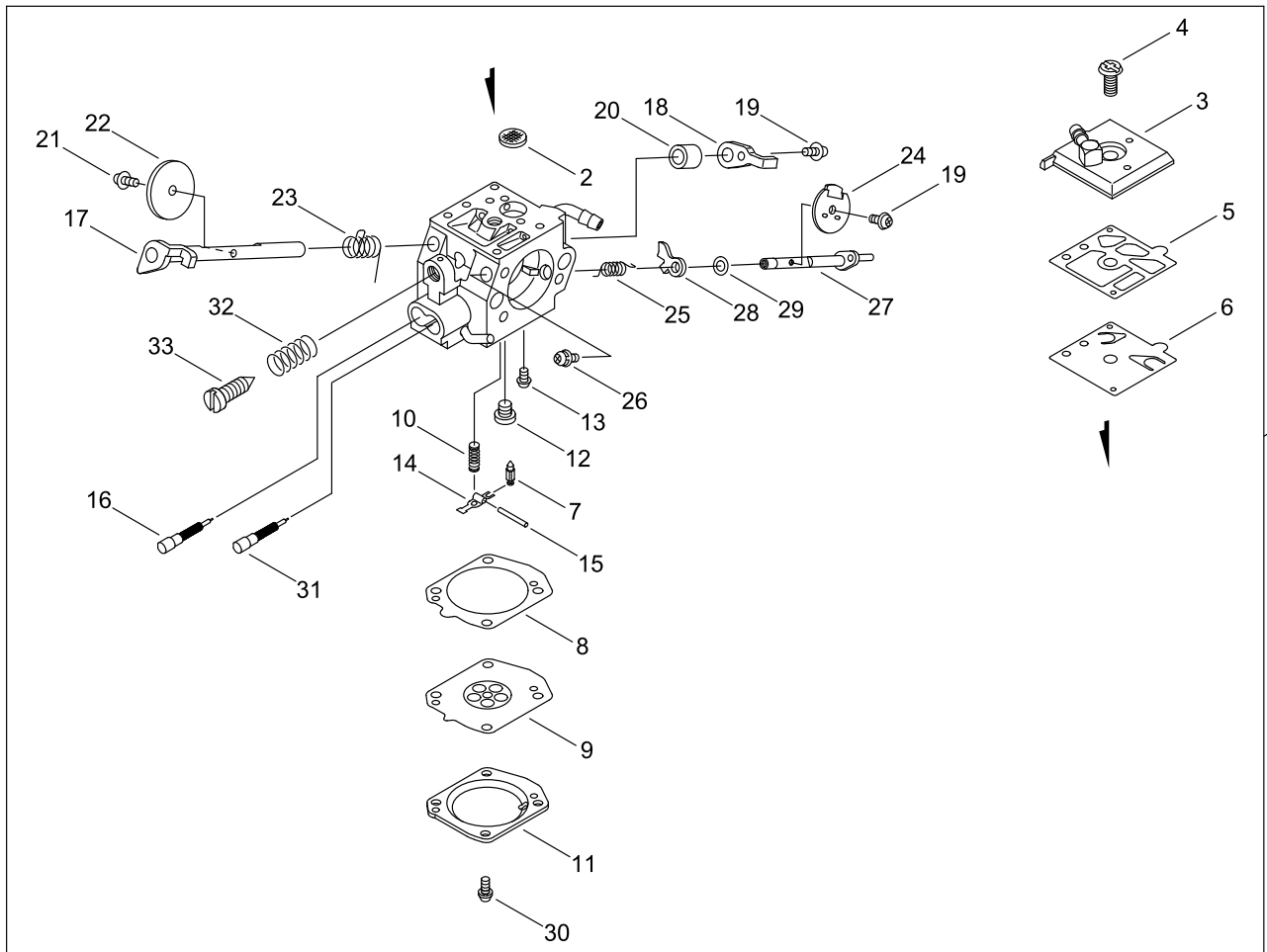
AIR CLEANER, CARBURETOR

Key No.	LV (+)	Parts Number	Parts Description	Qty	Standard	Class
1		A202-000340	BELLOWS, INTAKE	1		C
2		A202-000350	BELLOWS, INTAKE	1		C
3		V804-000050	BOLT, TORX 4	4	TB-4*12 10.9	C
4		A200-001240	INSULATOR, INTAKE	1		C
5		V804-000100	BOLT, TORX 4	2	TB-4*16 12.9	C
6		A200-001250	INSULATOR, INTAKE	1		C
7		900724-00022	O-RING	1	S-22	
8		A127-000570	COVER,DUST	1		C
9		132115-01462	GROMMET	1		C
10		A021-005350	CARBURETOR,DIAPHRAGM	1		B
11		437216-32631	PIPE 3*6*125	1	3*6*125	C
12		A204-000270	ELBOW, CARBURETOR	1		C
13		V202-000790	BOLT,4	2	M4*55	C
14		V202-000780	BOLT,4	1	M4*18_12.9	C
15		A226-002330	ELEMENT, AIR FILTER	1		A
16		P100-008520	CLEANER COVER ASY	1		
17	+	A235-000490	KNOB,CLEANER LID	1		C
18		X503-016040	LABEL,MODEL	1	CS-4310SX XSER.	D

Class : Consumable class

A:Fast moving parts B:Semi-fast moving parts C:Slow moving parts D:Order only as needed

CARBURETOR



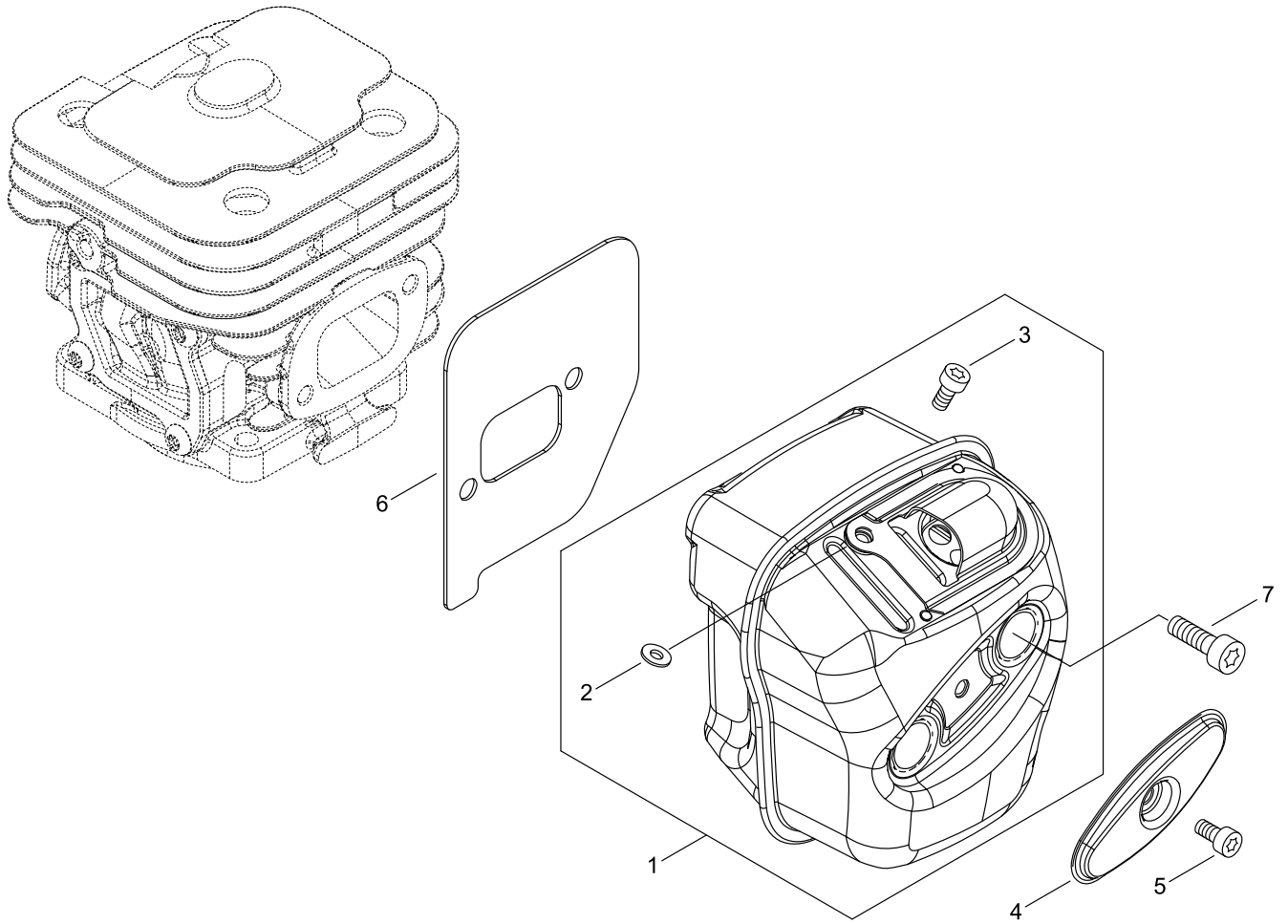
CARBURETOR

Key No.	LV (+)	Parts Number	Parts Description	Qty	Standard	Class
1		A021-005350	CARBURETOR,DIAPHRAGM	1		B
2	+	123126-10631	SCREEN, INLET	1		B
3	+	P003-006320	COVER, FUEL PUMP	1		
4	+	123110-16130	SCREW, PUMP COVER	1		D
5	+	123125-12330	GASKET, FUEL PUMP	1		A
6	+	123112-12330	DIAPHRAGM, FUEL PUMP	1		A
7	+	123137-19830	VALVE, INLET NEEDLE	1		D
8	+	123140-16130	GASKET, M. DIAPHRAGM	1		A
9	+	P003-006330	DIAPHRAGM, METERING	1		
10	+	123122-39830	SPRING, METER. LEVER	1		D
11	+	P003-006340	COVER, M. DIAPHRAGM	1		
12	+	123146-10631	PLUG, WELCH	1		C
13	+	123139-03930	SCREW, M. LEVER PIN	1		D
14	+	123123-16130	LEVER, METERING	1		
15	+	123138-03930	PIN, METERING LEVER	1		D
16	+	P003-004460	NEEDLE	1		D
17	+	P003-006350	SHAFT ASY,THROTTLE	1		
18	+	P003-006360	THROTTLE, LEVER	1		
19	+	123114-38830	SCREW	2		D
20	+	P003-002910	SPACER	1		
21	+	P003-002380	SCREW	1		D
22	+	P003-006370	VALVE	1		
23	+	P003-006380	SPRING	1		
24	+	P003-006390	VALVE	1		
25	+	P003-006400	SPRING	1		
26	+	P003-006410	SCREW	1		
27	+	P003-006420	SHAFT-CHOKE(MOLD)	1		
28	+	P003-006430	LEVER-FAST IDLE	1		
29	+	123149-26030	WASHER	1		D
30	+	123130-02960	SCREW	4		D
31	+	P003-006520	NEEDLE	1		D
32	+	123133-04260	SPRING, IDLE ADJUST	1		D
33	+	P003-003650	IDEL SCREW	1		

Class : Consumable class

A:Fast moving parts B:Semi-fast moving parts C:Slow moving parts D:Order only as needed

MUFFLER



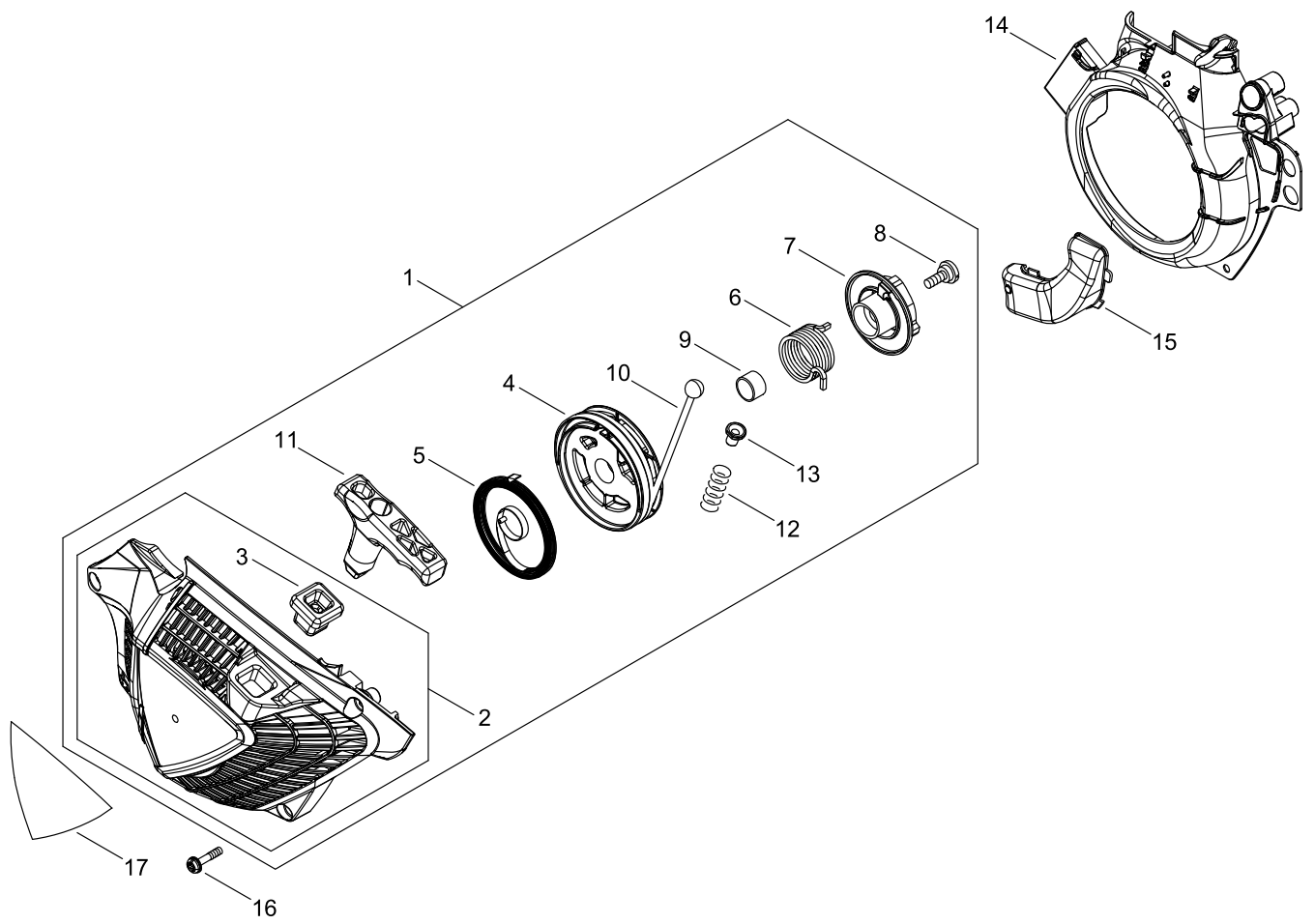
MUFFLER

Key No.	LV (+)	Parts Number	Parts Description	Qty	Standard	Class
1		P100-008430	MUFFLER ASY	1		
2	+	900602-00004	WASHER	1	4	
3	+	V804-000140	BOLT, TORX 4	1	TB-4*6 ALL 10.9	C
4		A301-000090	PLATE, MUFFLER	1	T0.5	C
5		V804-000140	BOLT, TORX 4	1	TB-4*6 ALL 10.9	C
6		V104-002500	GASKET,EXHAUST	1		A
7		V805-000250	BOLT, TORX 5	2	TB-5*16 12.9	C

Class : Consumable class

A:Fast moving parts B:Semi-fast moving parts C:Slow moving parts D:Order only as needed

RECOIL STARTER



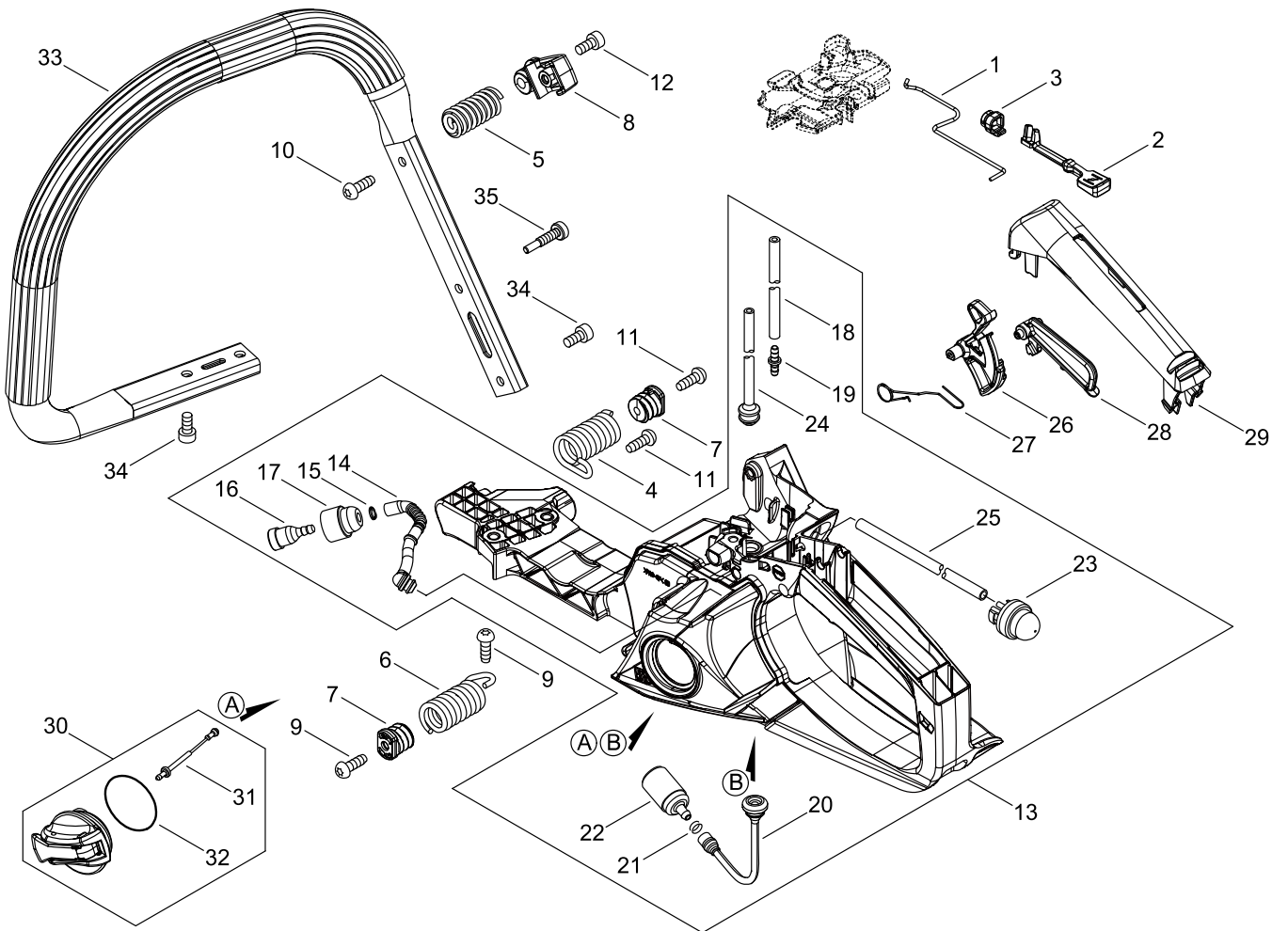
RECOIL STARTER

Key No.	LV (+)	Parts Number	Parts Description	Qty	Standard	Class
1		A051-003481	STARTER,RECOIL ASY	1		B
2	+	P022-054810	CASE,STARTER ASY	1		
3	++	P022-054830	GUIDE ROPE	1		
4	+	P022-054840	DRUM	1		
5	+	P022-046540	SPRING, SPIRAL	1		
6	+	P022-054860	SPRING,DAMPER	1		
7	+	P022-054870	PLATE, CAM	1		
8	+	177236-61830	SCREW	1		C
9	+	P022-054890	SPACE, PIPE	1		
10	+	P022-054900	ROPE	1		
11	+	P022-036780	GRIP, STARTER	1		
12	+	V450-001170	SPRING,COMPRESSION	1		B
13	+	V376-001400	SPACER	1		C
14		A172-003610	COVER,FAN	1		C
15		A161-000410	DUCT, AIR	1		C
16		V202-000780	BOLT,4	3	M4*18_12.9	C
17		X547-003790	LABEL,ECHO	1	CS-4310 ECHO	D

Class : Consumable class

A:Fast moving parts B:Semi-fast moving parts C:Slow moving parts D:Order only as needed

HANDLE



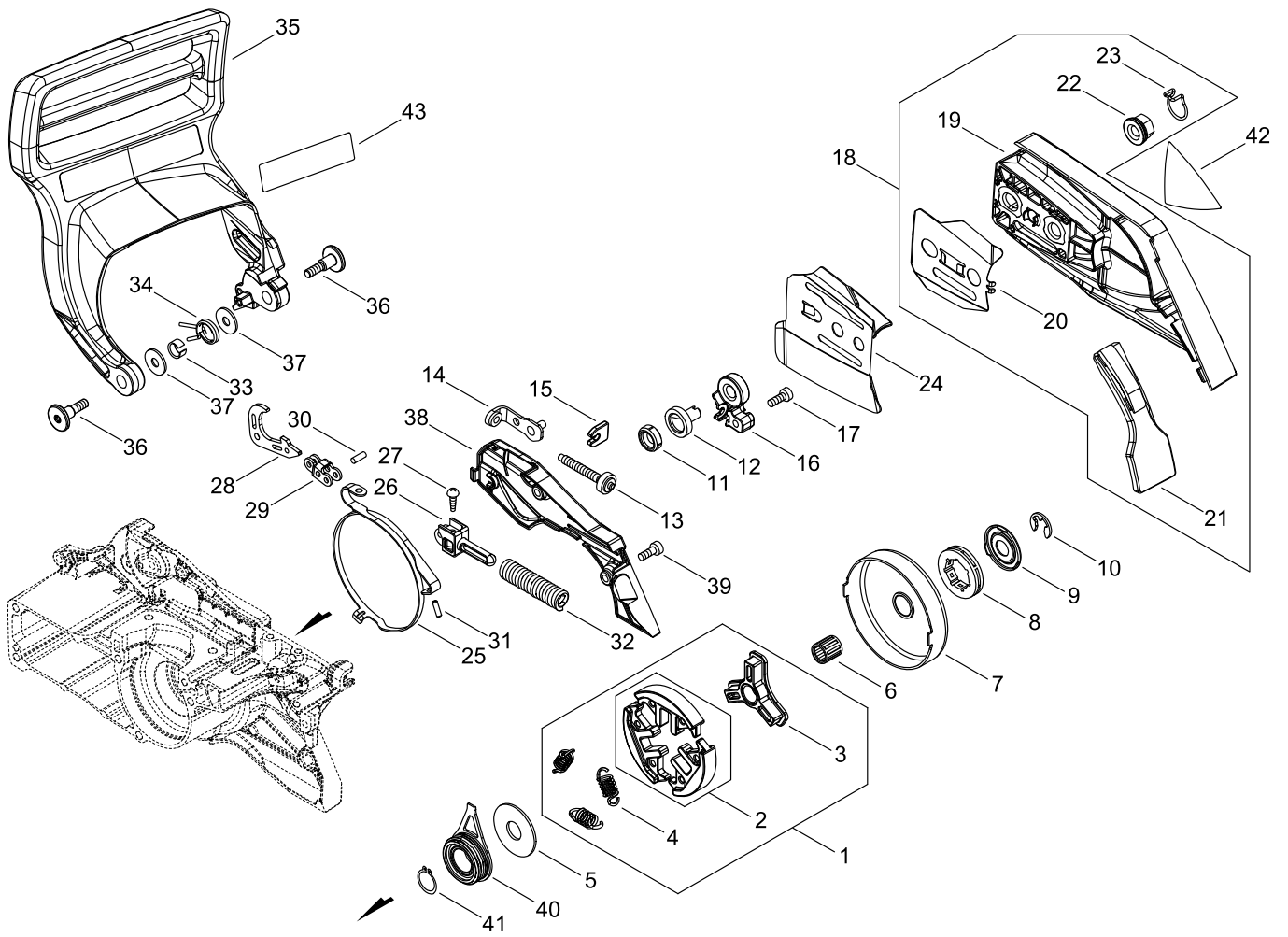
HANDLE

Key No.	LV (+)	Parts Number	Parts Description	Qty	Standard	Class
1		C454-000600	ROD, THROTTLE	1		C
2		A241-000400	KNOB, CHOKE	1		C
3		V130-000180	GROMMET,CHOKE	1		C
4		V450-002330	SPRING,COMPRESSION	1		B
5		V450-002340	SPRING,COMPRESSION	1		B
6		V450-002350	SPRING,COMPRESSION	1		B
7		V456-000410	HOLDER,SPRING	2		C
8		V456-000420	HOLDER,SPRING	1		C
9		V805-000000	BOLT, TORX 5	2	TT-5*16 DG 10.9	C
10		V805-000000	BOLT, TORX 5	1	TT-5*16 DG 10.9	C
11		V805-000000	BOLT, TORX 5	2	TT-5*16 DG 10.9	C
12		V805-000390	BOLT, TORX 5	1	TB-5*16 10.9	C
13		P100-008541	HANDLE ASY, REAR	1		C
14	+	V470-002390	PIPE	1		C
15	+	V490-001230	CLIP	1		C
16	+	131300-56431	VENT ASSEMBLY, FUEL	1		B
17	+	131328-40630	COVER, VENT	1		D
18	+	V471-002381	PIPE	1	3*5*140	C
19	+	V186-000510	JOINT,PIPE	1		C
20	+	V470-001991	PIPE	1	1.8*4*105	C
21	+	V490-000500	CLIP	1		C
22	+	A369-000450	STRAINER, FUEL	1		A
23	+	123181-39130	PUMP, PRIMER	1		A
24	+	V470-002380	PIPE	1		C
25	+	V471-001281	PIPE	1	2.4*5*105	C
26		C450-001101	CONTROL, THROTTLE	1		C
27		V452-000850	SPRING,TORSION	1		B
28		C460-000630	LOCKOUT, THROTTLE	1		C
29		C411-000270	LID,HANDLE	1		C
30		P100-008550	CAP ASY	1		C
31	+	A365-000150	CONNECTOR,CAP	1		B
32	+	900720-20029	O-RING	1	P-29	
33		C400-001720	HANDLE, FRONT	1		C
34		V805-000140	BOLT, TORX 5	3	TB-5*12 10.9	C
35		V203-002470	BOLT,5	1		C

Class : Consumable class

A:Fast moving parts B:Semi-fast moving parts C:Slow moving parts D:Order only as needed

CHAIN BRAKE



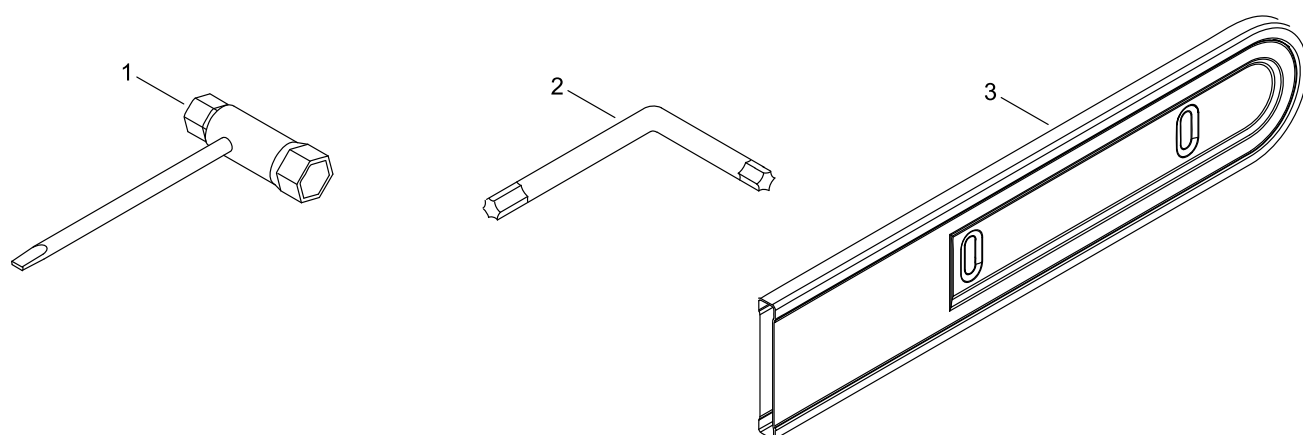
CHAIN BRAKE

Key No.	LV (+)	Parts Number	Parts Description	Qty	Standard	Class
1		A056-000860	CLUTCH ASY	1		B
2	+	P100-008460	CLUTCH SHOE SET	1		
3	+	A552-000490	HUB, CLUTCH	1		B
4	+	A566-000340	SPRING, CLUTCH	3		B
5		A551-000200	PLATE, CLUTCH	1	12*34*T1.6	C
6		V555-000150	BEARING,NEEDLE	1		B
7		A556-001860	DRUM, CLUTCH	1	SML-7	B
8		175114-12530	SPROCKET, RIM .325	1		B
9		V307-000520	WASHER,CIRCULAR 10	1		C
10		V583-000440	RING	1	8.1 T1.2	C
11		V356-000940	COLLAR,10	1		C
12		V652-000271	GEAR,WORM	1		B
13		V203-002460	BOLT,5	1		C
14		C309-000200	TENSIONER, CHAIN	1		C
15		C316-000100	GUIDE, SHAFT	1		D
16		V355-000970	COLLAR,8	1		C
17		V804-000050	BOLT, TORX 4	1	TB-4*12 10.9	C
18		P100-008480	GUARD, SPROCKET ASY	1		
19	+	C300-001180	GUARD, SPROCKET	1		C
20	+	C305-000540	PLATE,SPROCKET GUARD	1	T0.5	C
21	+	C302-000030	PROTECTOR	1		B
22	+	V265-000550	NUT,8	2		C
23	+	C649-000420	HOOK	2		D
24		C305-000530	PLATE,SPROCKET GUARD	1	T0.5	C
25		C328-000380	BAND, BRAKE	1	T1	C
26		C334-000380	CONNECTOR, BRAKE	1	SP,HOLDER	C
27		91381-04010	SCREW, TAPPING	1	4*10	
28		C334-000350	CONNECTOR, BRAKE	1		C
29		C334-000370	CONNECTOR, BRAKE	1		C
30		93050-30098	ROLLER	2	3*9.8	C
31		93050-30098	ROLLER	1	3*9.8	C
32		V450-002360	SPRING,COMPRESSION	1		B
33		V355-000460	COLLAR,8	1		C
34		V452-000860	SPRING,TORSION	1		B
35		P100-008471	BRAKE LEVER ASY	1		C
36		V203-002450	BOLT,5	2	TB5*12	C
37		V303-000290	WASHER	2		C
38		C345-000700	COVER,BRAKE	1		C
39		V804-000050	BOLT, TORX 4	2	TB-4*12 10.9	C
40		V652-000260	GEAR,WORM	1		B
41		900701-00015	RETAINING RING	1	CS-15	
42		X502-001300	LABEL,ECHO	1	ECHO	D
43		X505-010490	LABEL,CAUTION	1	SYMBOL	D

Class : Consumable class

A:Fast moving parts B:Semi-fast moving parts C:Slow moving parts D:Order only as needed

ACCESSORIES





ACCESSORIES

Key No.	LV (+)	Parts Number	Parts Description	Qty	Standard	Class
1		X602-000160	PLUG WRENCH	1		D
2		X605-000190	TOOL,L WRENCH	1	T27 120*80	D
3		X490-000570	SCABBARD,CHAIN	1		D

Class : Consumable class

A:Fast moving parts B:Semi-fast moving parts C:Slow moving parts D:Order only as needed

GUIDE BAR, CHAIN

Pitch ピッチ	Gauge ゲージ	Length 長さ	Guide Bar ガイドバー		Saw Chain ソーチェーン		Hard Nose ハード ノーズ	Sprocket Nose スプロケット ノーズ
			Key №	Type 形式	Key №	Type 形式		
.325 8.26	0.050 1.27	33	A1	Y33R20-56ML- ED	A2	95TXL-56E		
.325 8.26	0.050 1.27	35	B1	Y35R20-60ML- ED	B2	95TXL-60E		●
.325 8.26	0.050 1.27	40	C1	Y40R20-68ML- ED	C2	95TXL-68E		●
.325 8.26	0.050 1.27	45	D1	Y45R20-72AL- ED	D2	95TXL-72E		●

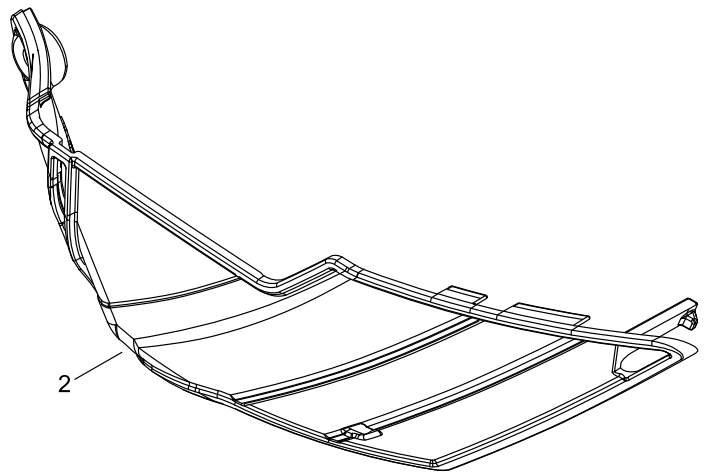
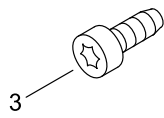
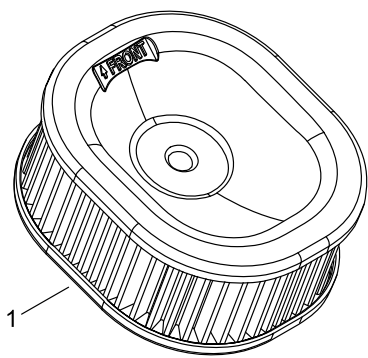
GUIDE BAR, CHAIN

Key No.	LV (+)	Parts Number	Parts Description	Qty	Standard	Class
A1		X122-000470	BAR,GUIDE 30	1	Y33R20-56ML- ED	A
A2		X242-000010	CHAIN,SAW	1	95TXL-56E	A
B1		X123-000730	BAR,GUIDE 35	1	Y35R20-60ML- ED	A
B2		X243-000010	CHAIN,SAW	1	95TXL-60E	A
C1		X124-000770	BAR,GUIDE 40	1	Y40R20-68ML- ED	A
C2		X244-000110	CHAIN,SAW	1	95TXL-68E	A
D1		X125-000490	BAR,GUIDE 45	1	Y45R20-72AL- ED	A
D2		X245-000060	CHAIN,SAW	1	95TXL-72E	A

Class : Consumable class

A:Fast moving parts B:Semi-fast moving parts C:Slow moving parts D:Order only as needed

OPTION PARTS



OPTION PARTS

Key No.	LV (+)	Parts Number	Parts Description	Qty	Standard	Class
1		A226-002320	ELEMENT, AIR FILTER	1	250	A
2		C418-000160	SHIELD, SNOW	1		C
3		V804-000000	BOLT, TORX 4	1	TT-4*12 DG 10.9	C

Class : Consumable class

A:Fast moving parts B:Semi-fast moving parts C:Slow moving parts D:Order only as needed

NUMERICAL PARTS INDEX

Part No	Part description	Page	Part No	Part description	Page	Part No	Part description	Page
100013-39730	PIN, PISTON	2	A200-001240	INSULATOR, INTAKE	8	P003-002380	SCREW	10
100014-02260	WASHER	2	A200-001250	INSULATOR, INTAKE	8	P003-002910	SPACER	10
123110-16130	SCREW, PUMP COVER	10	A202-000340	BELLOWS, INTAKE	8	P003-003650	IDEL SCREW	10
123112-12330	DIAPHRAGM, FUEL PUMP	10	A202-000350	BELLOWS, INTAKE	8	P003-004460	NEEDLE	10
123114-38830	SCREW	10	A204-000270	ELBOW, CARBURETOR	8	P003-006320	COVER, FUEL PUMP	10
123122-39830	SPRING, METER. LEVER	10	A219-000080	SHUTTER, AIR	4	P003-006330	DIAPHRAGM, METERING	10
123123-16130	LEVER, METERING	10	A226-002320	ELEMENT, AIR FILTER	24	P003-006340	COVER, M. DIAPHRAGM	10
123125-12330	GASKET, FUEL PUMP	10	A226-002330	ELEMENT, AIR FILTER	8	P003-006350	SHAFT ASY,THROTTLE	10
123126-10631	SCREEN, INLET	10	A235-000490	KNOB,CLEANER LID	8	P003-006360	THROTTLE, LEVER	10
123130-02960	SCREW	10	A241-000400	KNOB, CHOKE	16	P003-006370	VALVE	10
123133-04260	SPRING, IDLE ADJUST	10	A301-000090	PLATE, MUFFLER	12	P003-006380	SPRING	10
123137-19830	VALVE, INLET NEEDLE	10	A356-000130	VALVE,CHECK	4	P003-006390	VALVE	10
123138-03930	PIN, METERING LEVER	10	A365-000150	CONNECTOR,CAP	4	P003-006400	SPRING	10
123139-03930	SCREW, M. LEVER PIN	10	A365-000150	CONNECTOR,CAP	16	P003-006410	SCREW	10
123140-16130	GASKET, M. DIAPHRAGM	10	A369-000450	STRAINER, FUEL	16	P003-006420	SHAFT-CHOKE(MOLD)	10
123146-10631	PLUG, WELCH	10	A409-001390	ROTOR, MAGNETO	6	P003-006430	LEVER-FAST IDLE	10
123149-26030	WASHER	10	A425-000060	SPARKPLUG	6	P003-006520	NEEDLE	10
123181-39130	PUMP, PRIMER	16	A427-000190	CAP,SPARK PLUG	6	P022-036780	GRIP, STARTER	14
131300-56431	VENT ASSEMBLY, FUEL	16	A514-000220	PAWL	6	P022-046540	SPRING,SPIRAL	14
131328-40630	COVER, VENT	16	A551-000200	PLATE, CLUTCH	18	P022-054810	CASE,STARTER ASY	14
132115-01462	GROMMET	8	A552-000490	HUB, CLUTCH	18	P022-054830	GUIDE ROPE	14
175114-12530	SPROCKET, RIM .325	18	A556-001860	DRUM, CLUTCH	18	P022-054840	DRUM	14
177236-61830	SCREW	14	A566-000340	SPRING, CLUTCH	18	P022-054860	SPRING,DAMPER	14
433011-19831	STUD, GUIDE BAR	4	C022-000221	AUTO-OILER ASSEMBLY	2	P022-054870	PLATE, CAM	14
436205-14730	STRAINER, OIL	2	C300-001180	GUARD, SPROCKET	18	P022-054890	SPACE, PIPE	14
437216-32631	PIPE 3*6*125	8	C302-000030	PROTECTOR	18	P022-054900	ROPE	14
900515-00008	NUT, FLANGE	6	C304-000140	SPIKE	4	P100-008310	CYLINDER ASY	2
900602-00004	WASHER	12	C305-000530	PLATE,SPROCKET GUARD	18	P100-008320	PISTON KIT	2
900701-00015	RETAINING RING	18	C305-000540	PLATE,SPROCKET GUARD	18	P100-008410	CAP,OIL ASY	4
900720-20029	O-RING	4	C309-000200	TENSIONER, CHAIN	18	P100-008430	MUFFLER ASY	12
900720-20029	O-RING	16	C310-000110	CATCHER, CHAIN	4	P100-008460	CLUTCH SHOE SET	18
900724-00022	O-RING	8	C316-000100	GUIDE, SHAFT	18	P100-008471	BRAKE LEVER ASY	18
91381-04010	SCREW, TAPPING	18	C328-000380	BAND, BRAKE	18	P100-008480	GUARD, SPROCKET ASY	18
93050-30098	ROLLER	18	C334-000350	CONNECTOR, BRAKE	18	P100-008501	CYLINDER COVER ASY	4
93115-03010	KEY, WOODRUFF	6	C334-000370	CONNECTOR, BRAKE	18	P100-008520	CLEANER COVER ASY	8
94035-36201	BEARING, BALL	4	C334-000380	CONNECTOR, BRAKE	18	P100-008541	HANDLE ASY, REAR	16
A021-005350	CARBURETOR, DIAPHRAGM	8	C334-000380	CONNECTOR, BRAKE	18	P100-008550	CAP ASY	16
A021-005350	CARBURETOR, DIAPHRAGM	10	C345-000700	COVER,BRAKE	18	P100-011170	SWITCH, ON OFF	4
A051-003481	STARTER,RECOIL ASY	14	C400-001720	HANDLE, FRONT	16	P100-011190	CRANKCASE SET	4
A056-000860	CLUTCH ASY	18	C411-000270	LID,HANDLE	16	P200-001650	COIL, IGNITION ASY	6
A101-000800	RING, PISTON	2	C418-000160	SHIELD, SNOW	24	V100-000890	GASKET,CYL	2
A127-000570	COVER,DUST	8	C450-001101	CONTROL, THROTTLE	16	V102-000340	GASKET,CRANKCASE	4
A161-000410	DUCT, AIR	14	C454-000600	ROD, THROTTLE	16	V104-002500	GASKET,EXHAUST	12
A172-003610	COVER,FAN	14	C460-000630	LOCKOUT, THROTTLE	16	V130-000180	GROMMET,CHOKE	16
			C649-000420	HOOK	18	V186-000510	JOINT,PIPE	16

NUMERICAL PARTS INDEX

Part No	Part description	Page	Part No	Part description	Page
V202-000780	BOLT,4	4	V629-000000	ROLLER	4
V202-000780	BOLT,4	8	V652-000260	GEAR,WORM	18
V202-000780	BOLT,4	14	V652-000271	GEAR,WORM	18
V202-000790	BOLT,4	8	V804-000000	BOLT, TORX 4	24
V203-002250	BOLT,5	6	V804-000050	BOLT, TORX 4	2
V203-002450	BOLT,5	18	V804-000050	BOLT, TORX 4	8
V203-002460	BOLT,5	18	V804-000050	BOLT, TORX 4	18
V203-002470	BOLT,5	16	V804-000100	BOLT, TORX 4	4
V203-002480	BOLT,5	4	V804-000100	BOLT, TORX 4	6
V265-000550	NUT,8	18	V804-000100	BOLT, TORX 4	8
V266-000260	NUT,10	4	V804-000140	BOLT, TORX 4	12
V303-000290	WASHER	18	V805-000000	BOLT, TORX 5	16
V307-000520	WASHER,CIRCULAR 10	18	V805-000140	BOLT, TORX 5	16
V355-000460	COLLAR,8	18	V805-000180	BOLT, TORX 5	4
V355-000970	COLLAR,8	18	V805-000210	BOLT, TORX 5	2
V356-000940	COLLAR,10	18	V805-000250	BOLT, TORX 5	4
V376-001400	SPACER	14	V805-000250	BOLT, TORX 5	12
V420-005550	CUSHION	4	V805-000300	BOLT, TORX 5	4
V450-001170	SPRING,COMPRESSION	14	V805-000390	BOLT, TORX 5	16
V450-002330	SPRING,COMPRESSION	16	X122-000470	BAR,GUIDE 30	22
V450-002340	SPRING,COMPRESSION	16	X123-000730	BAR,GUIDE 35	22
V450-002350	SPRING,COMPRESSION	16	X124-000770	BAR,GUIDE 40	22
V450-002360	SPRING,COMPRESSION	18	X125-000490	BAR,GUIDE 45	22
V452-000850	SPRING,TORSION	16	X242-000010	CHAIN,SAW	22
V452-000860	SPRING,TORSION	18	X243-000010	CHAIN,SAW	22
V452-000870	SPRING,TORSION	6	X244-000110	CHAIN,SAW	22
V456-000410	HOLDER,SPRING	16	X245-000060	CHAIN,SAW	22
V456-000420	HOLDER,SPRING	16	X490-000570	SCABBARD,CHAIN	20
V470-001991	PIPE	16	X502-000390	LABEL,ECHO	4
V470-002370	PIPE	2	X502-001300	LABEL,ECHO	18
V470-002380	PIPE	16	X503-016040	LABEL,MODEL	8
V470-002390	PIPE	16	X505-010490	LABEL,CAUTION	18
V471-001281	PIPE	16	X510-001310	LABEL,SWITCH	4
V471-002381	PIPE	16	X547-003790	LABEL,ECHO	14
V485-003410	LEAD	4	X602-000160	PLUG WRENCH	20
V490-000500	CLIP	16	X605-000190	TOOL,L WRENCH	20
V490-001230	CLIP	16			
V494-001250	CAP	4			
V505-000070	OIL SEAL	4			
V508-000070	OIL SEAL	4			
V555-000140	BEARING,NEEDLE	2			
V555-000150	BEARING,NEEDLE	18			
V580-000110	SNAP RING	2			
V583-000440	RING	18			
V592-000290	BEARING, BALL	4			